

Date:  
May 19, 2009

Technical Newsletter

No:  
28



www.grindex.com

Subject:  
**Built in level regulators**

**Dear Distributor,**

Built in level regulators are now available for pumps up to 400V.

**Pumps concerned**

Minex, Minette, Minor, Major, Salvador, Senior and Sandy

Pumps with level regulators can be ordered from the factory. If the required product number is not available in the Product Number File, please fill in the Product Number Configuration File, send it to [technicalsupport@grindex.com](mailto:technicalsupport@grindex.com) and we will create a product number for you.

A level regulator kit, part number 51 155 00, is also available. An instruction that shows how to machine a cable entry in the main cover and how to connect the level regulator is included in the kit, see page 2 and 3.

An alternative to machine the main cover is to order a main cover with a cable entry for the level regulator:

<b>Main cover</b>	<b>Pump</b>
8083001	Minex
5087001	Minette/Salvador
5083010	Minor, Major, Senior and Sandy

**Minette/Salvador**

The Minette/Salvador main cover is difficult to machine. We recommend ordering a new main cover when fitting level regulators on these pumps.

As from July 2009, Minette and Salvador will have a new main cover which is possible to machine the same way as on the other pumps.

Minette and Salvador with serial numbers higher than 095000, will have the new cover.

For other voltages or when local regulations require lower voltage we recommend using a level regulator control box, see Accessories List.

Yours sincerely,

*Ola Hällgren*

Technical Manager

## ASSEMBLY INSTRUCTION FLOAT SWITCH KIT

Minex, Minette, Minor, Major,  
Salvador, Senior, Sandy

— max 400 V

Kit Part No. 51 155 00

### Main cover for float switch

#### Pump type Minex

Main cover No. 50 830 00

Machining of float switch cable entry in main cover should be made according to Fig. 1.

An alternative to machining the cable entry is to order main cover No. 50 830 01 (with cable entry for float switch).

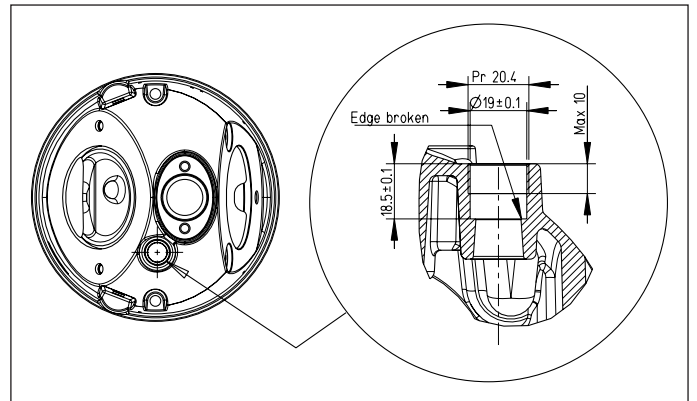


Fig. 1

#### Pump type Minette, Salvador

Main cover No. 50 870 01 (with cable entry for float switch) as seen in Fig. 2.

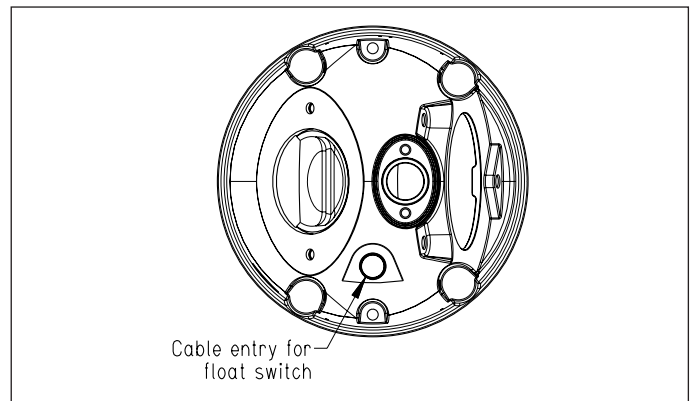


Fig. 2

#### Pump type Minor, Major, Senior, Sandy

Main cover No. 50 838 00

Machining of cable entry in main cover should be made according to Fig. 3.

An alternative to machining the cable entry is to order main cover No. 50 838 01 (with cable entry for float switch).

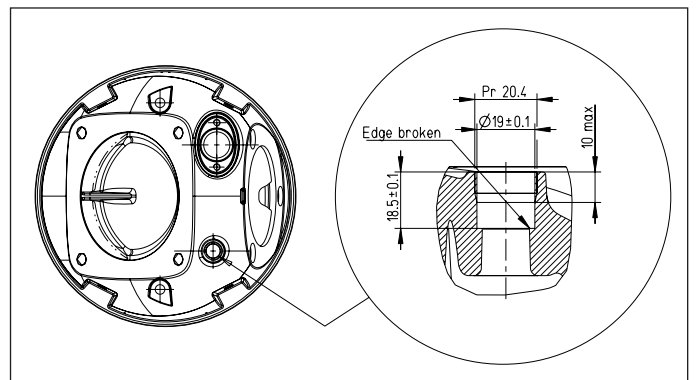


Fig. 3

# Float switch assembly

## Parts of float switch kit

Pos. No.	Denomination	Part No.
1	Float switch	50 176 00
2	Cable holder	410 077
3	Gland screw	410 367
4	Sleeve	51 278 00
5	Washer	410 370
6	Fixing plate	51 128 00
7	Screw	140 049
8	Lock nut	50 021 36
-	End splice	410 034

## Replacement gasket

Part No.	Remark
50 925 01	Minex
50 938 01	Minette, Salvador
50 945 00	Minor, Major, Senior, Sandy

## Wiring diagram

1. Disconnect the lead (blue) from A2 in the SMART and put it together with the lead (grey) on float switch with the closed end splice, Part No. 410 034.
2. Connect the lead (brown) on float switch in A2 in the SMART.
3. Connect the ground (earth) lead (green-yellow) on float switch to GC (Ground Check) on the cover in the pump.



**WARNING!** For safety reasons, ground (earth) lead (green-yellow) should be approx. 350 mm (12") longer than the total length of thermo detector lead (blue) and float switch lead (grey).

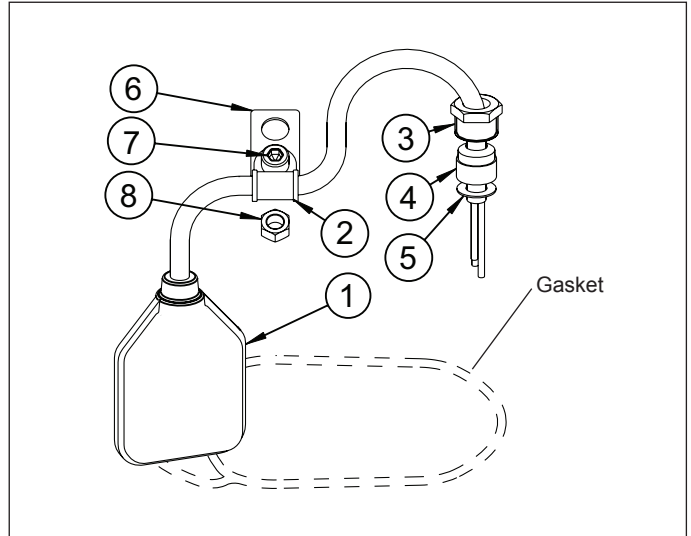


Fig. 4

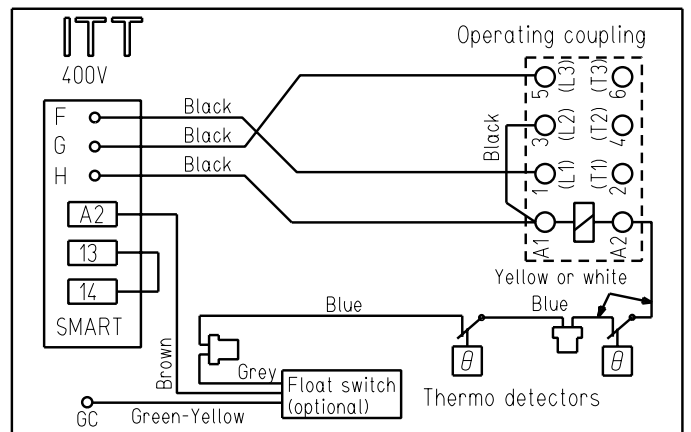


Fig. 5

## Assembly

- Disconnect from power supply
- Remove main cover
- Remove gasket
- Clean sealing surfaces and assemble gasket again (replace gasket if necessary before assembling)
- Assemble parts according to Fig. 4 (Pos. No. 6, 7, 8 are only used for Minor, Major, Senior & Sandy)
- Connect according to wiring diagram Fig. 5
- Assemble main cover on pump and tighten screw with 22 Nm on Minex, Minette, Salvador and with 44 Nm on Minor, Major, Senior, Sandy
- Assemble cable holder on nearest stud for outlet according to Fig. 6

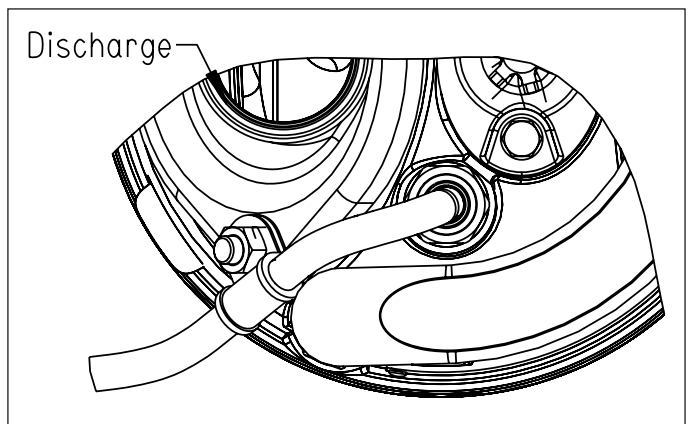


Fig. 6