

Date:  
2014-03-18

## Technical Newsletter

No:  
54



www.grindex.com

Subject:  
**New built-in level regulator versions on Minex to Matador  
& Salvador to Sandy**

### Dear Distributor,

Grindex is pleased to announce a new simplified built-in level regulator (float switch) offering versions for up to 250V 1-phase or up to 400V 3-phase plus a NEW low voltage version (24V) for up to 600V 3-phase.

These options cover the drainage pumps Minex-Matador & sludge pumps Salvador-Sandy, voltages from 110V up to 600V, 1-phase and 3-phase. Additional improvement is the adding of quick connecting cable connectors (pin and sleeve) which make wiring connections easier.

#### Minex 1-phase

Pre drilled cover for level regulator 5168601  
Level regulator kit max 250V 5172603

#### Minex 3-phase

Pre drilled cover for level regulator 5168601  
Level regulator kit max 400V / **600V (24V)** 5172604 / **5172603**  
Supervision relay (required for 24V) 5177900

#### Minette/Salvador 1-phase

Pre drilled cover for level regulator 5168701  
Level regulator kit max 250V 5172603

#### Minette/Salvador 3-phase

Pre drilled cover for level regulator 5168701  
Level regulator kit max 400V / **600V (24V)** 5172604 / **5172603**  
Supervision relay (required for 24V) 5177900

#### Minor/Major/Senior/Sandy

Pre drilled cover for level regulator 5176101  
Level regulator kit max 400V / **600V (24V)** 5172604 / **5172603**  
Supervision relay (required for 24V) 5177900

#### Master (24V version only available on DOL) NEW!

Pre drilled cover for level regulator 5086201  
Level regulator kit max 400V / **600V (24V)** 5172608 / **5172606**  
Supervision relay (required for 24V) 5177900

#### Matador (24V version only available on DOL) NEW!

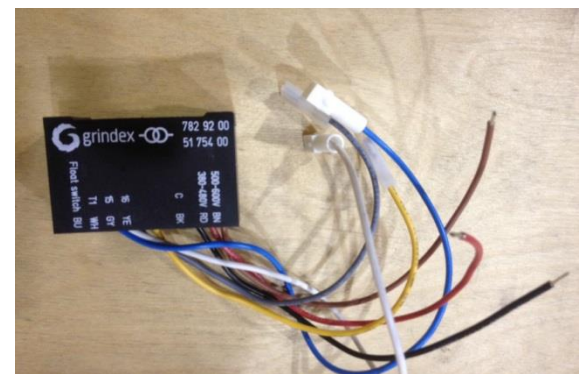
Pre drilled cover for level regulator 5099401  
Level regulator kit max 400V / **600V (24V)** 5172608 / **5172606**  
Supervision relay (required for 24V) 5177900



Level Regulator kit 5172603 - 5172608



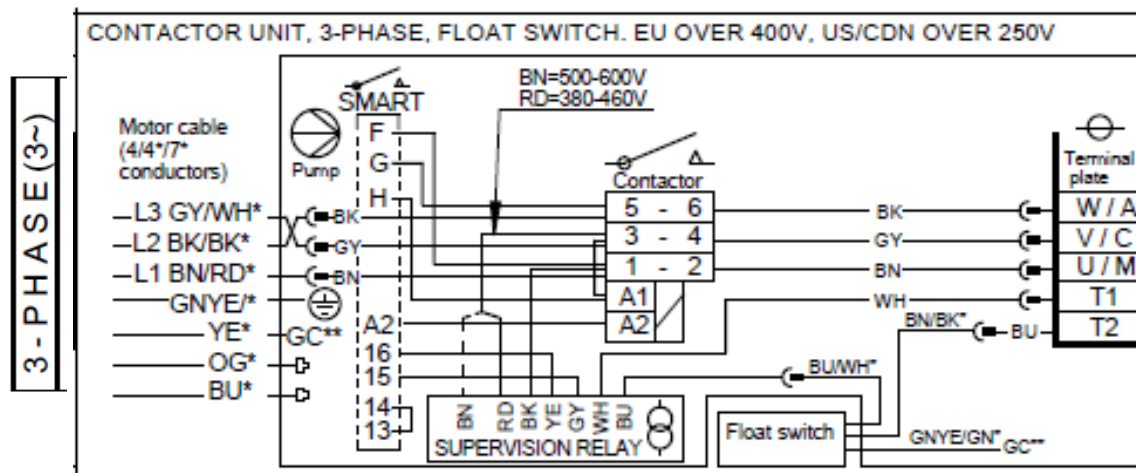
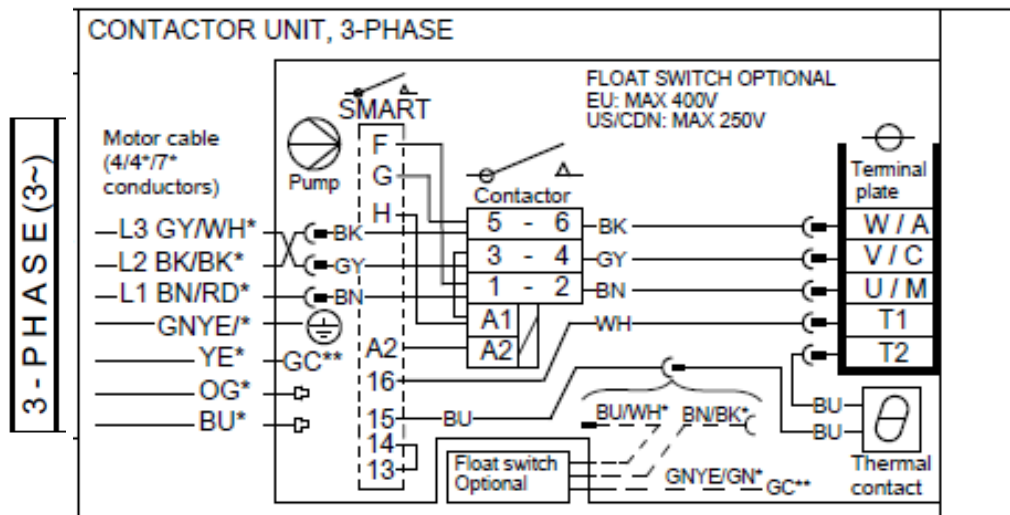
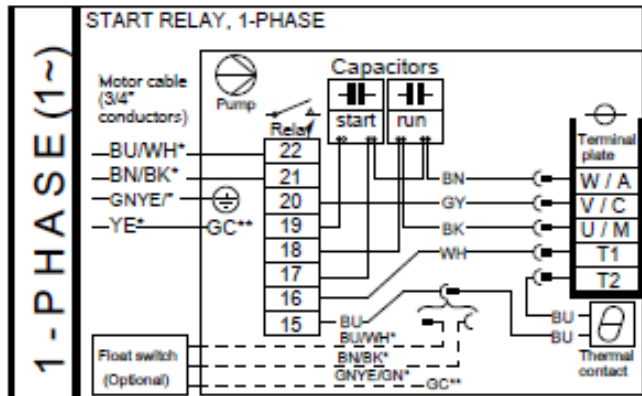
Pre drilled cover for level regulator 5168701



Supervision relay 5177900

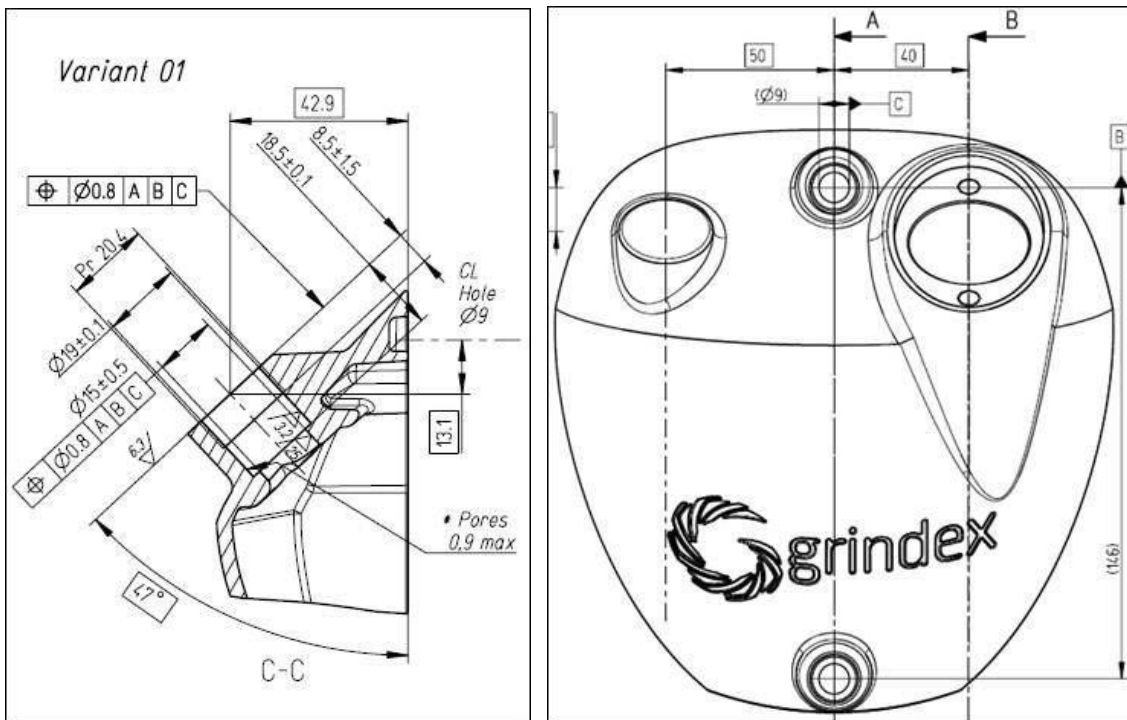
Subject:  
New built-in level regulator versions on Minex to Matador  
& Salvador to Sandy

Wiring diagrams (from IOM Manual):

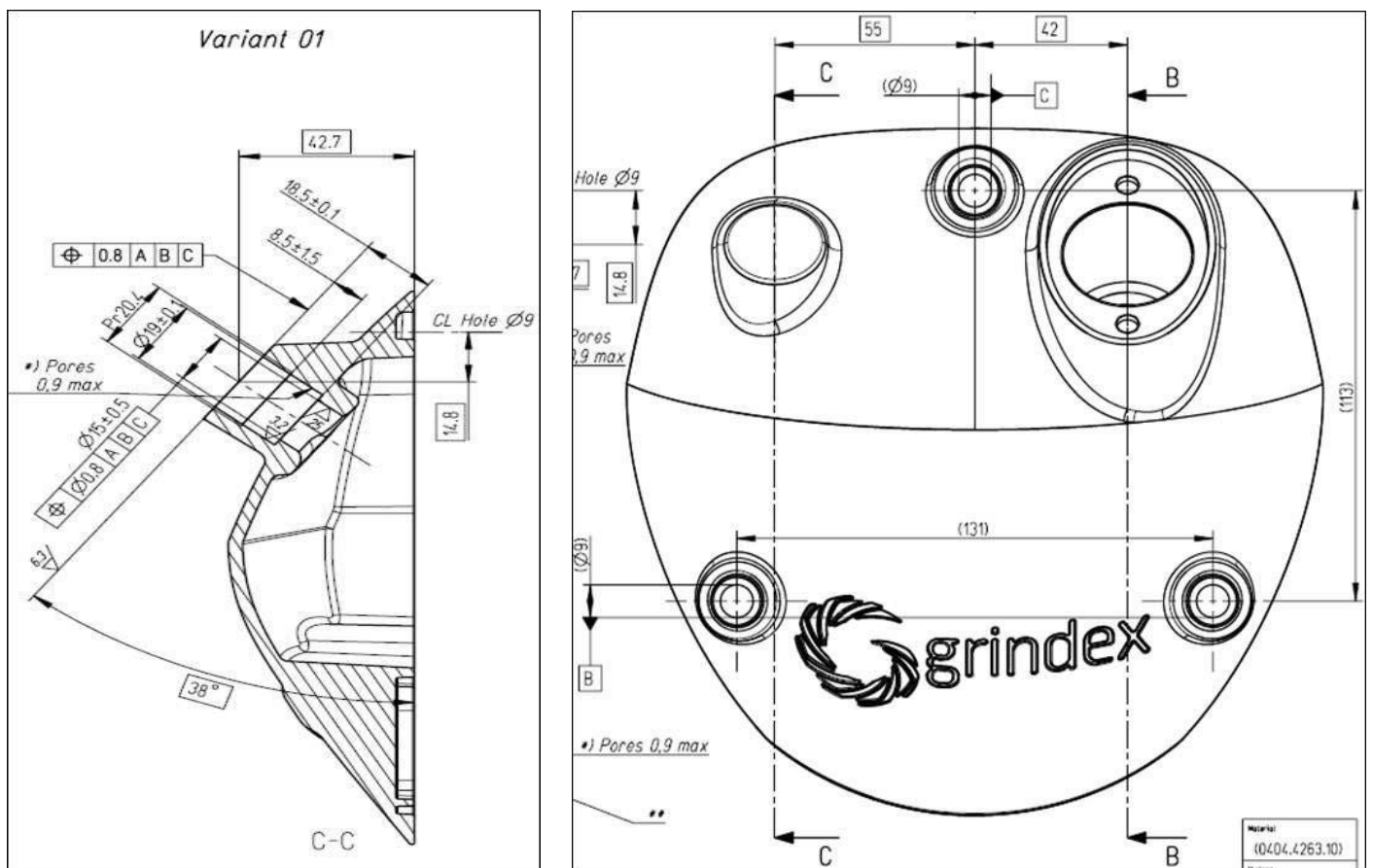


Pre drilled covers for level regulators are available for sale although drilling can be accomplished locally as well per inspection cover drawings below.

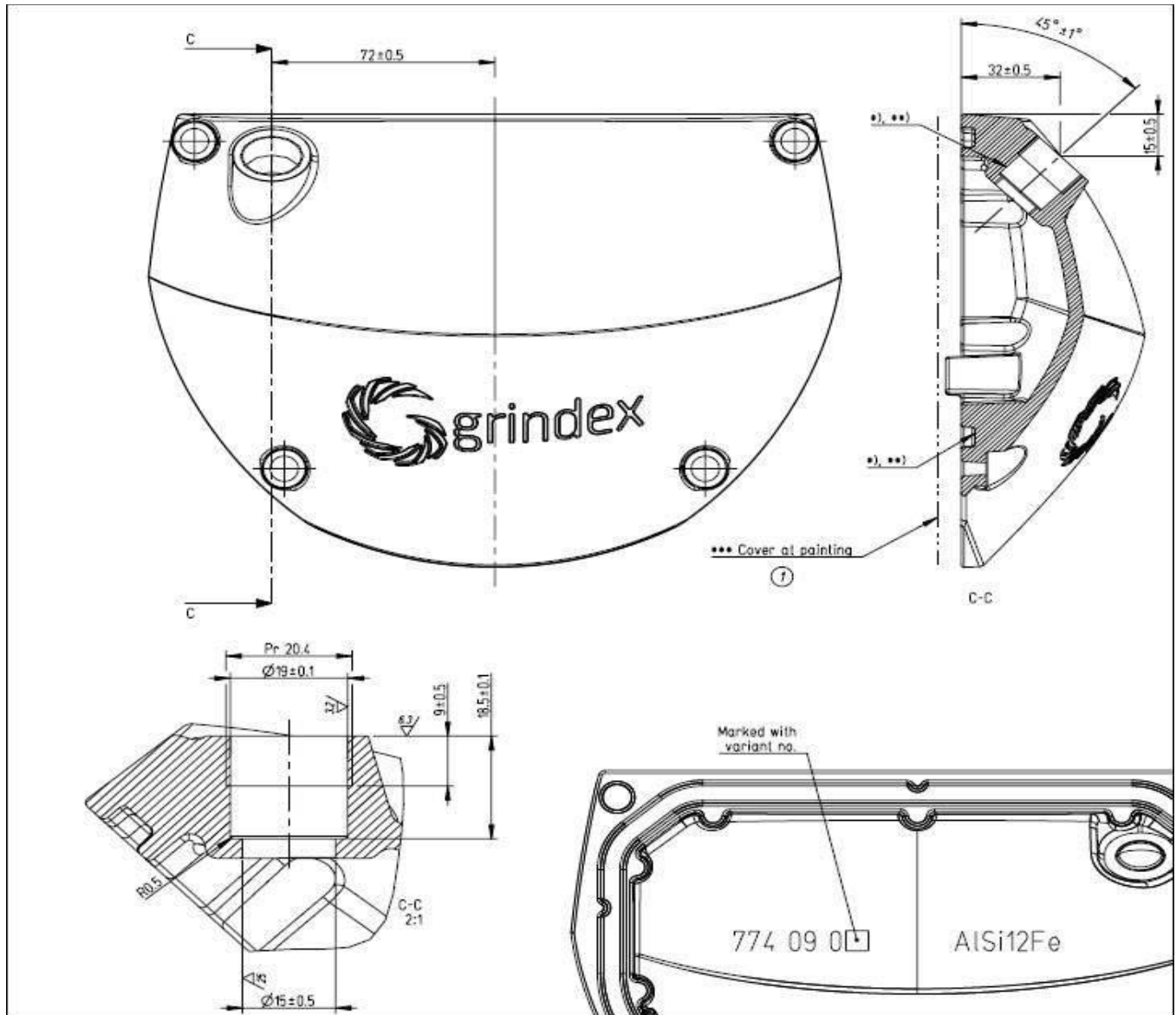
Minex:



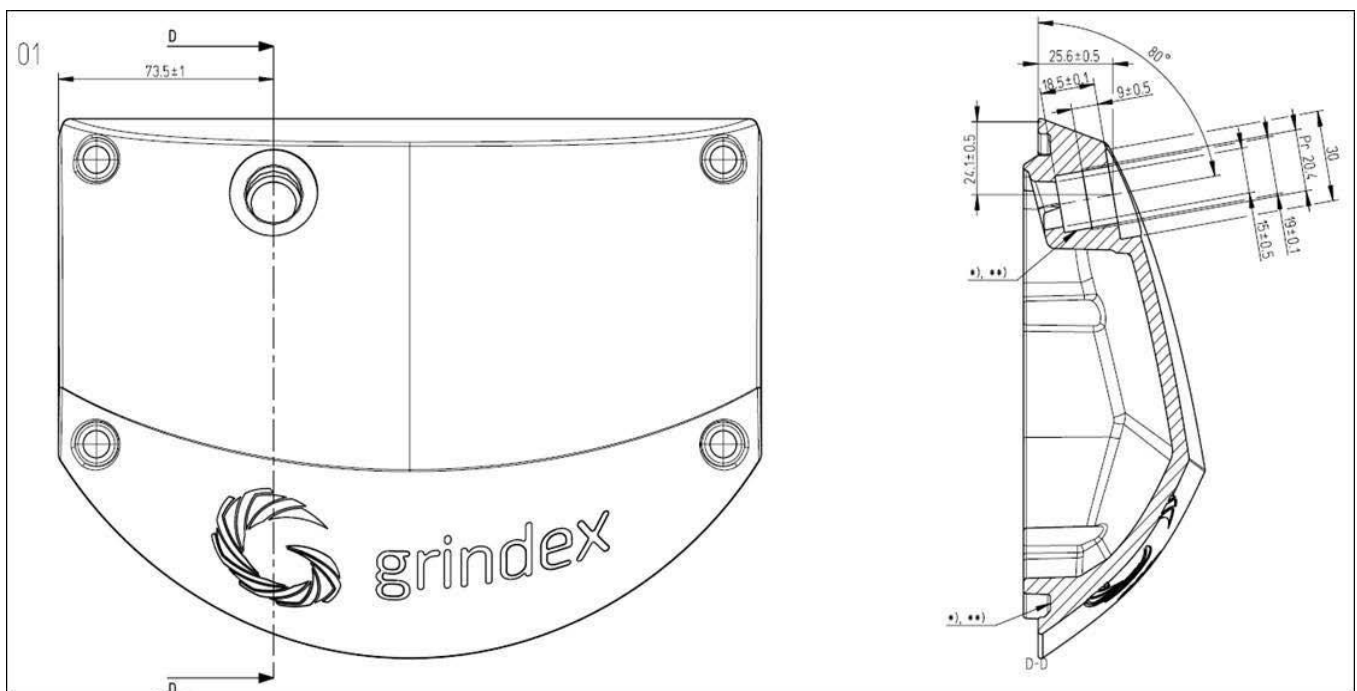
Minette:



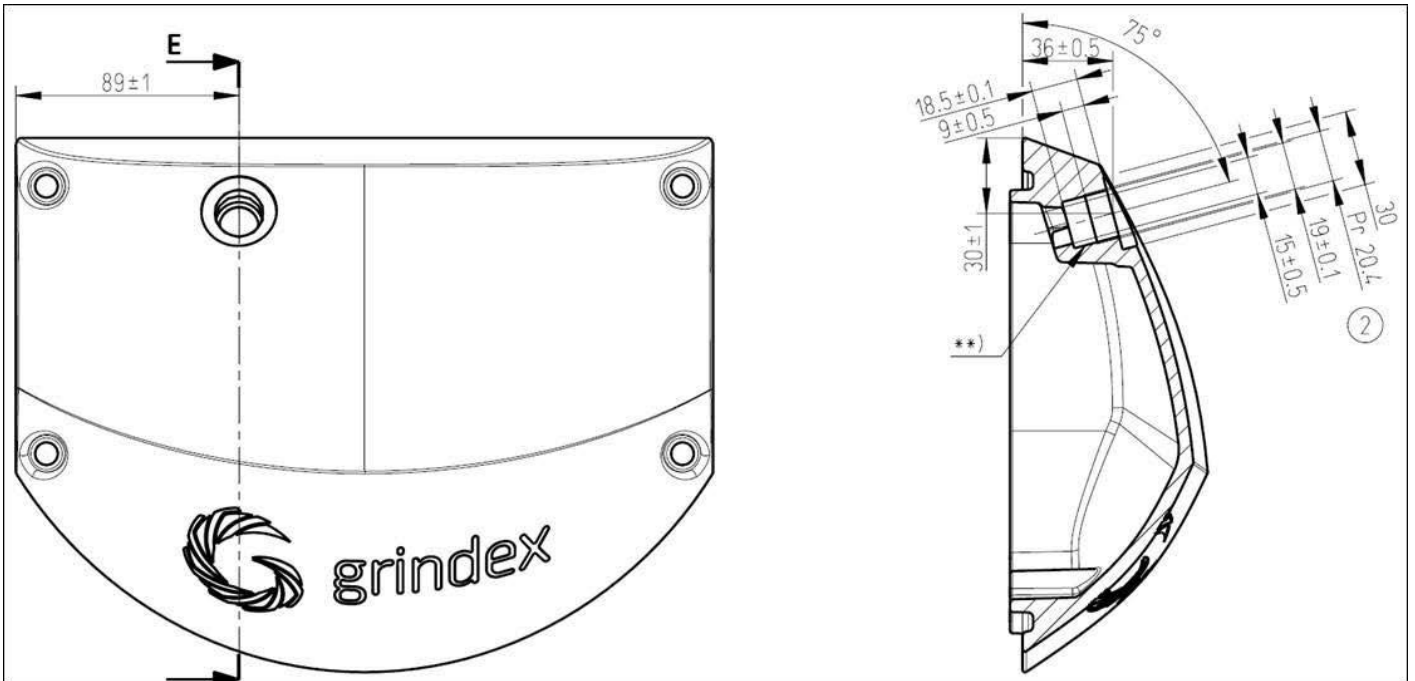
Minor, Major, Senior, Sandy:



Master:



Matador:



**Pumps concerned (1 & 3-phase)**

Minex	8101.160/172
Minette	8102.172
Minor	8103.181
Major	8104.181
Master	8105.182
Matador	8106.181
Salvador	8109.282
Senior	8110.281
Sandy	8111.281

**Time for change**

Available for all pumps from production cycle 2013-4 (2013-05-17) for the max 400V version and from production cycle 2013-7 (2013-09-27) for the 24V version with supervision relay.

Don't hesitate to contact [technicalsupport@grindex.com](mailto:technicalsupport@grindex.com) if you have any questions or input.

Yours sincerely,  
*Jonas Bladh*  
Product Manager