

Subject:
New cable entry for Mega

Dear Distributor,

The cable entry used in Mega 8124 has been changed to a new double seal sleeve entry, delivered with all pumps from production cycle 2014-2.

Description of the new cable entry

The main difference between the new cable entry, see figure 1, and the old, see figure 2, is the strain relief which consist of a second seal sleeve instead of the clamps used in the old. This design will lead to a more evenly distributed deformation of the cable. The strain relief seal sleeve will also work as an extra seal and make the entry more redundant.

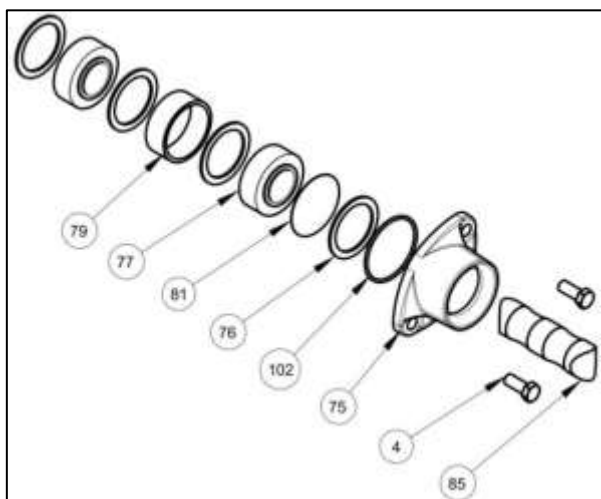


Figure 1. New cable entry.

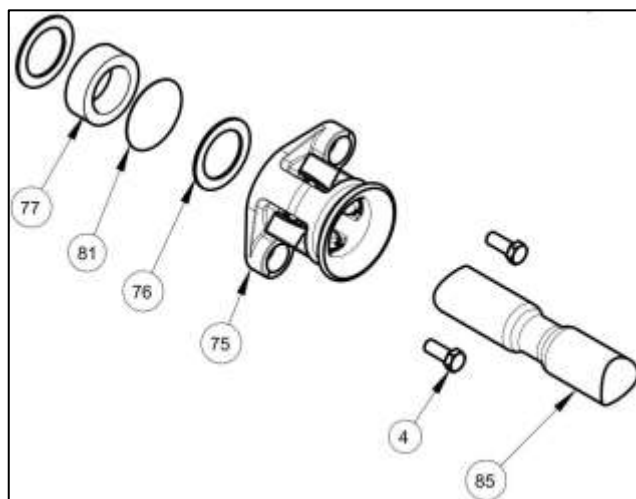


Figure 2. Old cable entry.

The parts in the new cable entry are described in table 1.

Pos.	Part number	Denomination
4	132260	Hexagon head screw
75	5147200	Entrance flange
76	See table 2	Plain washer
77	See table 2	Seal sleeve
79	5148801	Ring
81	5124900*	Plate
85	-	Cable
102	410562	O-ring

Table 1. Parts in the new cable entry.

*Only used for pumps delivered without cable

Date:
Jan 21, 2014

Technical Newsletter

No:
53



www.grindex.com

Subject:
New cable entry for Mega

The new cable entry uses a different set of seal sleeves than the old, see table 2. Note that each entry uses two sleeves and four washers.

Cable diameter	Sleeve (2x)	Washer (4x)
(32)-35	410590	410220
(35)-38	410591	410223
(38)-41	410592	410223
(41)-44	410593	410223

Table 2. Seal sleeves and washes for the new cable entry.

Pumps concerned

Mega (8124)

Time for change

Delivered with all pumps from production cycle 2014-2 (2014-02-17).

Don't hesitate to contact technicalsupport@grindex.com if you have any questions or input.

Yours sincerely,
Carl Nilsson
Product Manager