

Date:
Aug 23, 2013

Technical Newsletter

No:
50



www.grindex.com

Subject:

New built in Star-Delta starter unit configuration for
Master 8105.182 & Matador 8106.181

Dear Distributor,

Grindex has upgraded all Master & Matador pumps with a new configuration set up for the built in star delta starter equipment. The previous used 3-contactor system is replaced with a new 2-contactor system offering equal starting amperage reduction at start. Grindex motor protection SMART, Overload relay and Time relay remains in the pump top.

Pumps concerned

New versions	Old versions
Master 8105.182	Master 8105.181
Matador 8106.181	Matador 8106.180

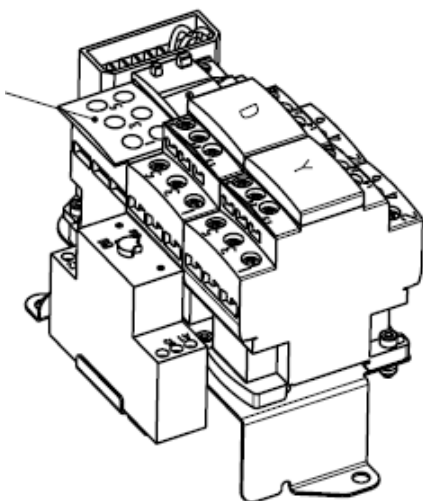
Time for change

From production cycle 6 year 2013 (date 2013-08-15) pumps are produced according to the new configuration.

Master 8105.182 from serial number 136xxxx

Matador 8106.181 from serial number 136xxxx

Illustration below shows the new 51 747 XX built in star-delta starter unit



The star-delta starter unit contains

- 2 x Contactors (D & Y) instead of earlier 3.
- 1 x Motor protector SMART
- 1 x Overload relay (set to $I_{nom} / 1,73$)
- 1 x Time relay (set to 3 seconds)
- 1 x Holder for overload relay
- 1 x Interlock unit preventing contactors to pull at the same time
- 1 x Holding plate

Continue.....

Date:
Aug 23, 2013

Technical Newsletter

No:
50



www.grindex.com

Subject:

New built in Star-Delta starter unit configuration for
Master 8105.182 & Matador 8106.181

Reason for change

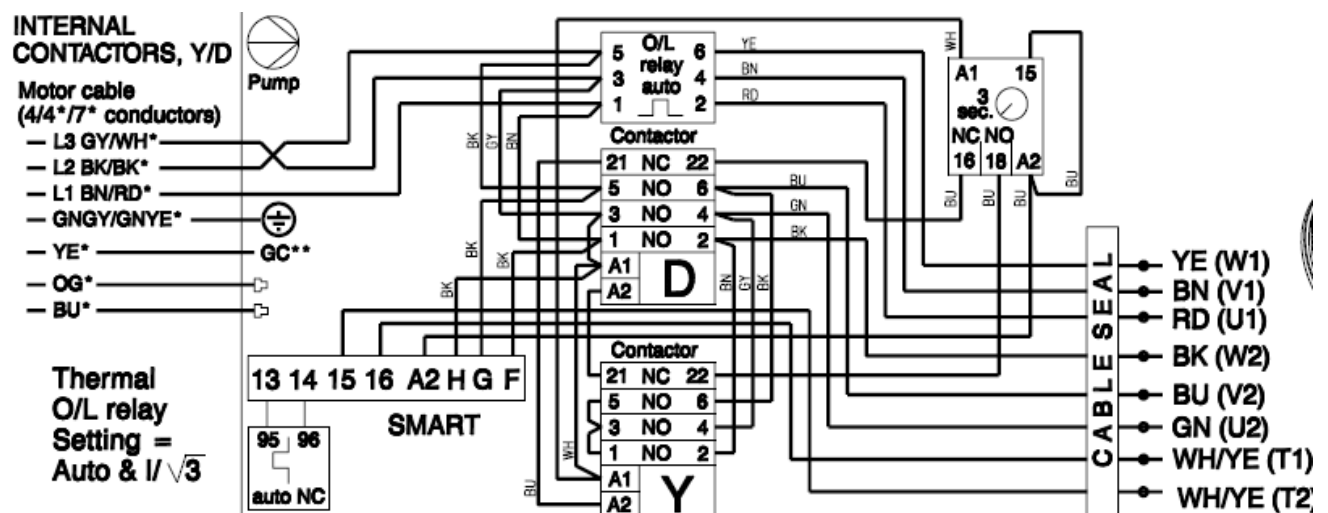
The new configuration of the star-delta starter unit makes it possible to offer a sealed area between the electrical compartment and the motor housing, for Master a new cable seal unit is introduced, for Matador the earlier introduced standard terminal plate unit is used.

Spare parts & interchangeability

Please, see below sheet with part numbers for starter unit built into the pump and a spare part kit to use when replacing starter units on older pumps (the kit includes starter unit and connection plate)

Voltage	Pump model	Old P/N Starter unit	New P/N Starter unit	New kit P/N Starter unit + Connection plate	Fully replaceable
400V50Hz	Master 8105.181 8105.182	51 000 00 51 000 01	51 747 00	51 747 10 (51 747 00 + 51 672 01)	Yes
460V50Hz	Master 8105.182	Not available	51 747 02	-	-
400V50Hz	Matador 8106.180 8106.181	50 999 00 50 999 02	51 747 01	51 747 11 (51 747 01 + 51 674 01)	Yes
460V60Hz	Matador 8106.180/181	50 999 01 50 999 03	51 747 03	51 747 13 (51 747 03 + 51 674 01)	Yes

Connection diagram 51 672 01 for Master 8105.182 (can also be used for old 8105.181-version)



Continue.....

Date:
Aug 23, 2013

Technical Newsletter

No:
50

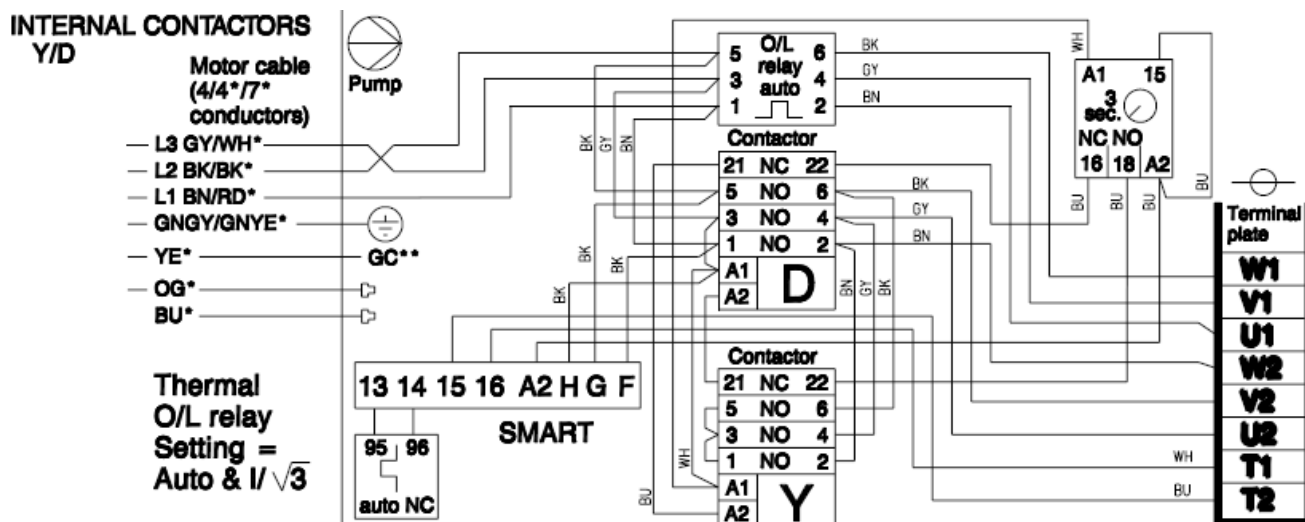


www.grindex.com

Subject:

New built in Star-Delta starter unit configuration for
Master 8105.182 & Matador 8106.181

Connection diagram 51 674 01 for Matador 8106.181 (can also be used for old 8106.180-version)



Don't hesitate to contact technicalsupport@grindex.com if you have questions or input.

Yours sincerely,
Jonas Bladh
Technical Support