

Datum:  
2013-07-16

Technical Newsletter

Nr:  
49



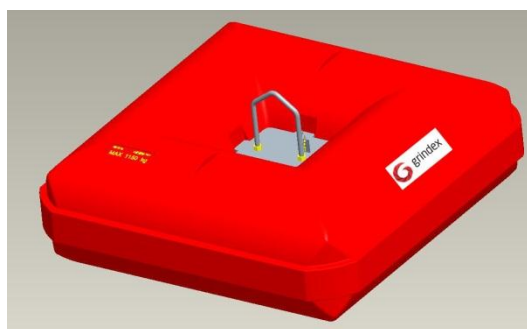
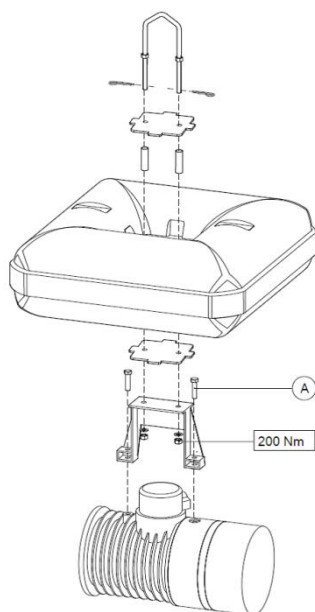
www.grindex.se

Subject:  
New raft for Mega and Bravo pumps

**Dear Distributor,**

Grindex is proud to announce the new pump raft 1150, for Mega and Bravo pumps. With a lifting capacity of 1150 kg, the 1150 is the biggest in the fleet of Grindex five rafts, covering the whole drainage pump series – and now also the Bravo slurry pump series.

The 1150 raft, with part number 5180500, is easily assembled with the Mega as illustrated below. With a new design casted in red and with Grindex logotype, the 1150 raft blends in perfectly with other Grindex products.



**Figure 1.** *Assembly and 3D illustration of the new pump raft 1150.*

The new raft is fully replacing the old one.

### **Assembly with Bravo pumps**

For use of pump raft 1150 together with Bravo pumps, a bracket unit (5180600) is required. See illustrations on next page.

Datum:  
2013-07-16

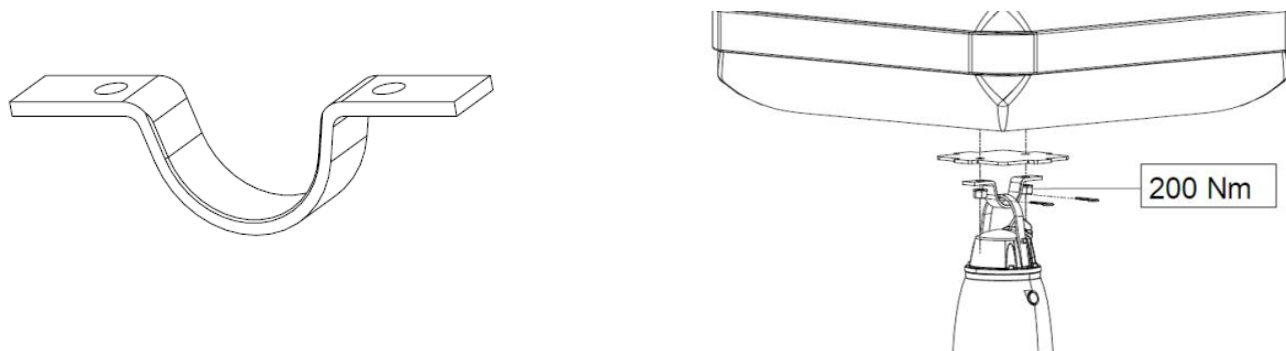
Technical Newsletter

Nr:  
49



www.grindex.se

Subject:  
New raft for Mega and Bravo pumps



**Figure 2.** Bracket unit 5180600 and detailed illustration of assembly with Bravo pumps.

### Pumps concerned

Mega (8124), Bravo 400-900 (8148-8153)

Pumps	Old part number	New part number
8124	410826	5180500
8148-8153	-	5180500 + 5180600

**Table 1.** New part numbers for raft 1150.

### Time for change

2013-07-08

Feel free to contact [technicalsupport@grindex.com](mailto:technicalsupport@grindex.com) if you have any questions or input.

Yours sincerely,  
Carl Nilsson  
Product Manager