

Date:
March 26, 2013

Technical Newsletter

No:
47



www.grindex.com

Subject:
New seals for Master & Matador

Dear Distributor,

In order to improve lifetime of mechanical seals, major design changes have been implemented for the 25 mm (Master) and 35 mm (Matador) seals.

Design modification

The seals have been updated with the following improvements and features:

- Aluminium seal house and stainless steel bottom improves the heat transfer and the durability of the seal
- Improved mobility between stationary outer seal ring and seal house
- Improved dirt protection

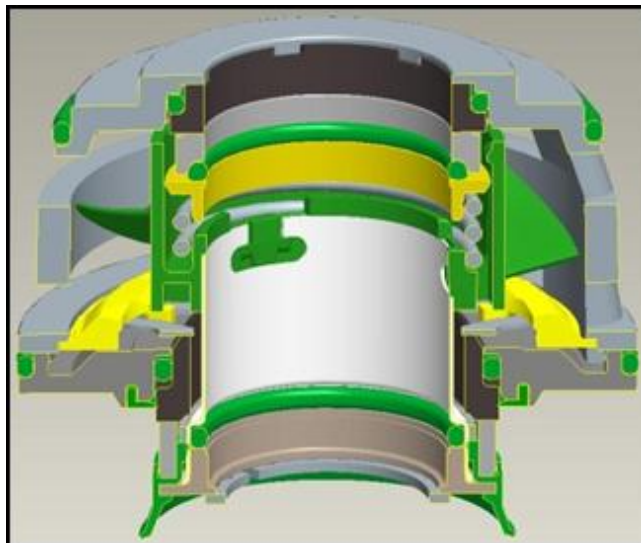


Figure 1. *Cut-away illustration of new seal design.*

Date:
March 26, 2013

Technical Newsletter

No:
47

 **grindex**
www.grindex.com

Subject:
New seals for Master & Matador



Figure 2. *The 35 mm and 25 mm seals.*

Pumps concerned

Master 8105, Matador 8106

Time for change

2013-03-28

The new seals will be mounted in the pumps from serial number 1330001.

Spare parts

The interchangeability is 100 %, and the new seals will fully replace the old ones.

Pump	Old seal	New seal
Master	51 027 22	51 755 51
Matador	51 028 22	51 745 51

Table 1. *Part numbers for obsolete and new seals.*

Don't hesitate to contact technicalsupport@grindex.com for further information.

Yours sincerely,

Carl Nilsson

Technical Support