

Date:
December 8, 2011

Technical Newsletter

No:
40



www.grindex.com

Subject:

Upgraded Starter units, Contactors, Terminal plate units and SMART on Minex – Matador, Salvador – Sandy

Dear Distributor,

Grindex has introduced new terminal plate unit and wide range SMART. We have also changed the design of the starter units, such as removal of transformer, change of contactors and electrical connections. In this bulletin you will find information on main changes and a spread sheet on each individual pump model and its starter unit components.

Design modification

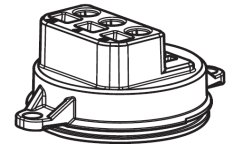
1. New terminal plate unit

A new terminal plate unit has replaced the rubber protective casing/motor cable bushing to prevent leakage between the electrical compartment and the stator housing (not on Master-Matador with built in Y/D).

The new terminal board is available in three different sizes:

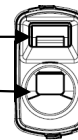
- Minex-Minette-Salvador, p/n 5164100
- Minor-Master-Senior-Sandy, p/n 5164200
- Matador, p/n 5164300

(for introduction time see spread sheet starting from page 3 for each model)



Note: Square hole is for screw driver

Circle hole is for the cables
when mounting cables on the terminal unit



2. Wide range Smart (number of versions reduced to four)

New function on the new connections 15-16. It's a low voltage circuit with a built in transformer were the thermal contacts are connected. The upgrade has eliminated the need of the ring transformer and simplified the electrical connection (see diagram under *Removal of transformer*).

Connect thermal contact from stator to 15-16 for **automatic restart**. If the thermal contact trips caused by high temperature, the pump will automatic restart when it has cooled down.

Function for 13-14 remains as **manual reset**. Connect jumper strip (or for Master and Matador overload relay) on 13-14. If the overload relay trips, the power to the pump must be disconnected and

connected again before the pump can start.

When replacing only old SMART, see newsletter TNL 41 how to mount jumper strips on connection 13-14,15-16



Subject:

Upgraded Starter units, Contactors, Terminal plate units and SMART on Minex – Matador, Salvador – Sandy

New voltage ranges on SMART

SMART part no.	Voltage range	Replaced by SMART part no.	Voltage range
5090500	190-240 V 50 Hz	51 511 07	190-240 V 50 Hz
5090501	346-460 V 50 Hz	51 511 05	340-600 V 50 Hz
5090502	500-575 V 50 Hz		
5090503	190-240 V 60 Hz	51 511 08	190-240 V 60 Hz
5090504	346-460 V 60 Hz	51 511 06	340-600 V 60 Hz
5090505	500-600 V 60 Hz		

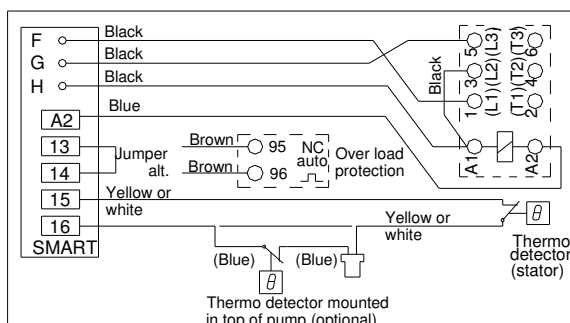
3. Removal of transformer (only 500V 50Hz, 380-575V 60Hz pumps)

The design where Grindex 500V50Hz, 460V60Hz or 575V60Hz 3-phase pumps earlier used a ring transformer transforming down the line supply voltage to a contactor with a 220-240V coil, has now been changed to exclude the ring transformer and to use a contactor with line supply voltage.

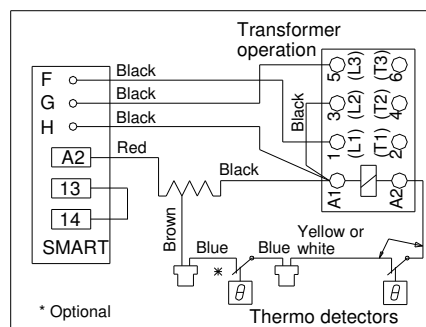
The Smart box has been modified and two extra pin 15 and 16 have been added. It's a low voltage circuit with a built in transformer were the thermal contacts are connected. The upgrade has eliminated the need of the ring transformer and simplified the electrical connection.

(for introduction time see spread sheet starting from page 3 for each model)

New connection



Old connection



4. Change of contactors and electrical connections

We have changed contactor connection from inside D to outside D for all D connected voltages, Star/Delta is an exception. The consequences are sizing up contactors and overload relay (for Master and Matador), see spread sheet starting next page for each model.

New connection diagram is required when contactor unit is replaced. See spread sheet starting next page for which electrical wiring diagram to follow.

Date:
December 8, 2011

Technical Newsletter

No:
40



www.grindex.com

Subject:

Upgraded Starter units, Contactors, Terminal plate units and SMART on Minex – Matador, Salvador – Sandy

Pumps concerned

Minex 3-Ph	8101.171	Salvador 3-Ph	8109.281
Minette 3-Ph	8102.171	Senior	8110.280
Minor	8103.180	Sandy	8111.280
Major	8104.180		
Master	8105.181		
Matador	8106.180		

Spread sheet sorted on pump model, product no, voltage & frequency including part numbers for complete starter/contactors units and individual parts, changes are presented in previous, intermediate & actual versions giving information about serial number & date

Minex-Minette-Salvador

Pump model	Product no.	Voltage/Hz	Denomination	Grindex p/n	Previous version Last Ser.No (End date)	Grindex p/n	Intermediate version Last Ser.No (End date)	Grindex p/n	Actual version First Ser.No (Replacement date)
Minex	8101.171	220-230V D 50Hz	Starter unit	5089111	-1149999 (2011-06-22)			5089146	1150001- (2011-06-23)
			Contactor	410108				410108	
			Motor protector	5090500				5151107	
Minette Salvador	8102.171 8109.281	220-230V D 50Hz	Starter unit	5089111	-1149999 (2011-06-22)			5089140	1150001- (2011-06-23)
			Contactor	410108				410111	
			Motor protector	5090500				5151107	
Minex Minette Salvador	8101.171 8102.171 8109.281	380-415V Y 50Hz	Starter unit	5089105	-1149999 (2011-06-22)			5089139	1150001- (2011-06-23)
			Contactor	410109				410109	
			Motor protector	5090501				5151105	
Minex Minette Salvador	8101.171 8102.171 8109.281	500V Y 50Hz	Starter unit	5089107	-1149999 (2011-06-22)			5089133	1150001- (2011-06-23)
			Contactor	410110				410110	
			Motor protector	5090502				5151105	
Minex	8101.171	220-230V 60Hz	Starter unit	5089104	-1159999 (2011-08-30)			5089138	1160001- (2011-08-31)
			Contactor	410108				410108	
			Motor protector	5090503				5151108	
Minette Salvador	8102.171 8109.281	230V Y// 60Hz	Starter unit	5089112	-1159999 (2011-08-30)			5089141	1160001- (2011-08-31)
			Contactor	410111				410111	
			Motor protector	5090503				5151108	
Minex Minette Salvador	8101.171 8102.171 8109.281	380V Y 60Hz	Starter unit	5089110	-1159999 (2011-08-30)			5089135	1160001- (2011-08-31)
			Contactor	410109				410109	
			Motor protector	5090504				5151106	
Minex Minette Salvador	8101.171 8102.171 8109.281	460-480V 60Hz	Starter unit	5089106	-1089999 (2010-12-31)	5089136 410163	-1159999 (2011-08-30)	5089136	1160001- (2011-08-31)
			Contactor	410108				410163	
			Motor protector	5090504				5151101	
			Transformer	5093500				transf. removed	
Minex Minette Salvador	8101.171 8102.171 8109.281	575-600V Y 60Hz	Starter unit	5089109	-1089999 (2010-12-31)	5089137 410769	1119999 (2011-02-14)	5089137	1120001- (2011-02-15)
			Contactor	410108				410766	
			Motor protector	5090505				5151106	
			Transformer	5093501				transf. removed	

All models	All voltages 50Hz	Terminal Plate unit						5164100	1150001- (2011-06-23)
	All voltages 60Hz	Terminal Plate unit						5164100	1160001- (2011-09-01)
	All voltages	Connection plate Cable set						5162300 5163900	see above see above

Date:
December 8, 2011

Technical Newsletter

No:
40



www.grindex.com

Subject:

Upgraded Starter units, Contactors, Terminal plate units and SMART on Minex – Matador, Salvador – Sandy

Minor

Pump model	Product no.	Voltage/Hz	Denomination	Grindex p/n	Previous version Last Ser.No (End date)	Grindex p/n	Intermediate version Last Ser.No (End date)	Grindex p/n	Actual version First Ser.No (Replacem. date)
Minor	8103.180	220-240V D 50Hz	Starter unit Contactor Motor protector	5108202 410111 5090500	-1149999 (2011-06-22)			5108234 410776 5151107	1150001- (2011-06-23)
Minor	8103.180	380-400V Y 50Hz	Starter unit Contactor Motor protector	5108207 410160 5090501	-1149999 (2011-06-22)			5108245 410162 5151105	1150001- (2011-06-23)
Minor	8103.180	415-440V D 50Hz	Starter unit Contactor Motor protector	5108200 410163 5090501	-1149999 (2011-06-22)			5108235 410163 5151105	1150001- (2011-06-23)
Minor	8103.180	500V D 50Hz	Starter unit Contactor Motor protector	5108201 410110 5090502	-1149999 (2011-06-22)			5108213 410110 5151105	1150001- (2011-06-23)
Minor	8103.180	200-220V D 60Hz	Starter unit Contactor Motor protector	5108208 410158 5090503	-1159999 (2011-08-30)			5108236 410764 5151108	1160001- (2011-09-01)
Minor	8103.180	230-240V D 60Hz	Starter unit Contactor Motor protector	5108205 410156 5090503	-1159999 (2011-08-30)			5108237 410776 5151108	1160001- (2011-08-31)
Minor	8103.180	220-240V 60Hz Y//	Starter unit Contactor Motor protector	5108210 410764 5090503	-1159999 (2011-08-30)			5108237 410776 5151108	1160001- (2011-08-31)
Minor	8103.180	380-400V D 60Hz (Not CSA)	Starter unit Contactor Motor protector Transformer	5108204 410111 5090504 5093503	-1089999 (2010-12-31)	5108218 410147 5151106 transf. removed	-1159999 (2011-08-30)	5108215 410162 5151106 transf. removed	1160001- (2011-08-31)
Minor	8103.180	380-400V D	Starter unit Contactor Motor protector	5108209 410144 5090504	-1159999 (2011-08-30)			5108215 410162 5151106	1160001- (2011-08-31)
Minor	8103.180	440-480V D 60Hz	Starter unit Contactor Motor protector Transformer	5108204 410111 5090504 5093503	-1089999 (2010-12-31)	5108218 410147 5151106 transf. removed	-1159999 (2011-08-30)	5108216 410825 5151106 transf. removed	1160001- (2011-08-31)
Minor	8103.180	440-480V 60Hz YSER	Starter unit Contactor Motor protector Transformer	5108211 410145 5090504 5093500	-1129999 (2011-03-25)	5108219 410148 5151106 transf. removed	-1159999 (2011-08-30)	5108216 410825 5151106 transf. removed	1160001- (2011-08-31)
Minor	8103.180	575-600V D 60Hz	Starter unit Contactor Motor protector Transformer	5108206 410156 5090505 5093501	-1089999 (2010-12-31)			5108217 410766 5151106 transf. removed	1110001- (2011-01-01)

All models	All voltages 50Hz	Terminal Plate unit				5164200	1150001- (2011-06-23)
	All voltages 60Hz	Terminal Plate unit				5164200	1160001- (2011-08-31)
	All voltages	Connection plate				5162400	see above
	All voltages	Cable set				5163900	see above

Date:
December 8, 2011

Technical Newsletter

No:
40



www.grindex.com

Subject:

Upgraded Starter units, Contactors, Terminal plate units and SMART on Minex – Matador, Salvador – Sandy

Major-Senior-Sandy

Pump model	Product no.	Voltage/Hz	Denomination	Grindex p/n	Previous version Last Ser.No (End date)	Grindex p/n	Intermediate version Last Ser.No (End date)	Grindex p/n	Actual version First Ser.No (Replacem. date)
Major Senior Sandy	8104.180 8110.280 8111.280	220-240V D 50Hz	Starter unit Contactor Motor protector	5108202 410111 5090500	-1149999 (2011-06-22)			5108234 410156 5151107	1150001- (2011-06-23)
Major Senior Sandy	8104.180 8110.280 8111.280	380-400V Y 50Hz	Starter unit Contactor Motor protector	5108207 410160 5090501	-1149999 (2011-06-22)			5108242 410160 5151105	1160001- (2011-08-31)
Major Senior Sandy	8104.180 8110.280 8111.280	415-440V D 50Hz	Starter unit Contactor Motor protector	5108200 410163 5090501	-1149999 (2011-06-22)			5108235 410767 5151105	1160001- (2011-08-31)
Major Senior Sandy	8104.180 8110.280 8111.280	500V D 50Hz	Starter unit Contactor Motor protector	5108201 410110 5090502	-1149999 (2011-06-22)			5108213 410766 5151105	1150001- (2011-06-23)
Major Senior Sandy	8104.180 8110.280 8111.280	200-220V D 60Hz	Starter unit Contactor Motor protector	5108208 410158 5090503	-1159999 (2011-08-30)			5108236 410764 5151108	1160001- (2011-08-31)
Major Senior Sandy	8104.180 8110.280 8111.280	230-240V D 60Hz	Starter unit Contactor Motor protector	5108205 410156 5090503	-1159999 (2011-08-30)			5108236 410764 5151108	1160001- (2011-08-31)
Major Senior Sandy	8104.180 8110.280 8111.280	220-240V Y// 60Hz	Starter unit Contactor Motor protector	5108210 410764 5090503	-1159999 (2011-08-30)			5108236 410764 5151108	1160001- (2011-08-31)
Major Senior Sandy	8104.180 8110.280 8111.280	380-400V D 60Hz	Starter unit Contactor Motor protector Transformer	5108204 410111 5090504 5093503	-1089999 (2010-12-31)	5108218 410147 5151106 transf. removed	-1159999 (2011-08-30)	5108244 410160 5151106 transf. removed	1160001- (2011-08-31)
Major Senior Sandy	8104.180 8110.280 8111.280	380-400V D 60Hz (Not CSA)	Starter unit Contactor Motor protector	5108209 410144 5090504	-1159999 (2011-08-30)			5108215 410160 5151106	1160001- (2011-08-31)
Major Senior Sandy	8104.180 8110.280 8111.280	440-480V D 60Hz	Starter unit Contactor Motor protector Transformer	5108211 410145 5090504 5093500	-1129999 (2011-03-25)	5108219 410148 5151106 transf. removed	-1159999 (2011-08-30)	5108244 410767 5151106 transf. removed	1160001- (2011-08-31)
Major Senior Sandy	8104.180 8110.280 8111.280	440-480V YSER 60Hz	Starter unit Contactor Motor protector Transformer	5108211 410145 5090504 5093500	-1129999 (2011-03-25)	5108219 410148 5151106 transf. removed	-1159999 (2011-08-30)	5108244 410767 5151106 transf. removed	1160001- (2011-08-31)
Major Senior Sandy	8104.180 8110.280 8111.280	575-600V D 60Hz	Starter unit Contactor Motor protector Transformer	5108206 410156 5090505 5093501	-1089999 (2010-12-31)			5108217 410766 5151106 transf. removed	1110001- (2011-01-01)

All models	All voltages 50Hz	Terminal Plate unit				5164200	1150001- (2011-06-23)
	All voltages 60Hz	Terminal Plate unit				5164200	1160001- (2011-08-31)
	All voltages	Connection plate				5162400	see above
	All voltages	Cable set				5163900	see above

Date:
December 8, 2011

Technical Newsletter

No:
40



www.grindex.com

Subject:

Upgraded Starter units, Contactors, Terminal plate units and SMART on Minex – Matador, Salvador – Sandy

Master

Pump model	Product no.	Voltage/Hz	Denomination	Grindex p/n	Previous version Last Ser.No (End date)	Grindex p/n	Intermediate version Last Ser.No (End date)	Grindex p/n	Actual version First Ser.No (Replacement date)
Master	8105.181	220-230V D 50Hz	Starter unit	5099310	-1149999 (2011-06-21)	5099339	-1179999 (2011-11-18)	5099338	1180001- (2011-11-21)
			Contactor	410151		410152		410815	
			Thermal relay	410102		410150		410822	
			Motor protector	5090500		5151107		5151107	
Master	8105.181	240V D 50Hz	Starter unit	5099317	-1149999 (2011-06-21)	5099338	-1179999 (2011-11-18)	5099338	1180001- (2011-11-21)
			Contactor	410151		410151		410815	
			Thermal relay	410102		410150		410822	
			Motor protector	5090500		5151107		5151107	
Master	8105.181	380-415V 50Hz Star-Delta	Starter unit	5100000	-1129999 (2011-03-25)	5100000	-1149999 (2011-06-21)	5100001	1150001- (2011-06-23)
			Contactor	410162 x 3		410824 x 3		410824 x 3	
			Thermal relay	5100300		5100300		5100300	
			Time relay	5014802		5014802		5014802	
			Motor protector	5090501		5090501		5151105	
Master	8105.181	380-400V D 50Hz	Starter unit	5099302	-1149999 (2011-06-21)	5099340	-1179999 (2011-11-18)	5099340	1180001- (2011-11-21)
			Contactor	410160		410147		410814	
			Thermal relay	410159		410102		410819	
			Motor protector	5090501		5151105		5151105	
Master	8105.181	415-440V D 50Hz	Starter unit	5099312	-1149999 (2011-06-21)	5099341	-1179999 (2011-11-18)	5099340	1180001- (2011-11-21)
			Contactor	410148		410148		410814	
			Thermal relay	410159		410102		410819	
			Motor protector	5090501		5151105		5151105	
Master	8105.181	500V D 50Hz	Starter unit	5099303	-1149999 (2011-06-21)			5099329	1150001- (2011-06-23)
			Contactor	410142				410142	
			Thermal relay	410157				410143	
			Motor protector	5090502				5151105	
Master	8105.181	200-220V D60Hz	Starter unit	5099305	-1159999 (2011-08-30)	5099342	-1179999 (2011-11-18)	5099342	1180001- (2011-11-21)
			Contactor	410158		410149		410815	
			Thermal relay	410102		410150		410823	
			Motor protector	5090503		5151108		5151108	
Master	8105.181	230-240V D 60Hz	Starter unit	5099316	-1159999 (2011-08-30)	5099343	-1179999 (2011-11-18)	5099342	1180001- (2011-11-21)
			Contactor	410152		410152		410815	
			Thermal relay	410150		410150		410823	
			Motor protector	5090503		5151108		5151108	
Master	8105.181	220-240V 60Hz Y//	Starter unit	5099316	-1159999 (2011-08-30)	5099343	-1179999 (2011-11-18)	5099342	1180001- (2011-11-21)
			Contactor	410152		410152		410815	
			Thermal relay	410150		410150		410823	
			Motor protector	5090503		5151108		5151108	
Master	8105.181	380-400V D 60Hz	Starter unit	5099306	-1159999 (2010-12-31)	5099334	-1179999 (2011-11-18)	5099334	1180001- (2011-11-21)
			Contactor	410144		410144		410814	
			Thermal relay	410159		410102		410820	
			Motor protector	5090504		5151106		5151106	
Master	8105.181	380-400V D 60Hz	Starter unit	5099308	-1089999 (2010-12-31)	5099333	-1159999 (2011-08-30)	5099344	-1179999 (2011-11-18)
			Contactor	410145		410144		410144	
			Thermal relay	410159		410159		410102	
			Motor protector	5090504		5151106		5151106	
			Transformer	5093503		transf. removed		transf. removed	
Starter unit				5099334	▼ 1180001- (2011-11-21)				
Contactor				410814					
Thermal relay				410820					
Motor protector				5151106					
Transformer				transf. removed					

Continue.....

Date:
December 8, 2011

Technical Newsletter

No:
40



www.grindex.com

Subject:

Upgraded Starter units, Contactors, Terminal plate units and SMART on Minex – Matador, Salvador – Sandy

Master continue.....

Pump model	Product no.	Voltage/Hz	Denomination	Grindex p/n	Previous version Last Ser.No (End date)	Grindex p/n	Intermediate version Last Ser.No (End date)	Grindex p/n	Actual version First Ser.No (Replacement date)
Master	8105.181	440-480V D 60Hz	Starter unit	5099301	-1089999 (2010-12-31)	5099331	-1159999 (2011-08-30)	5099345	-1179999 (2011-11-18)
			Contactor	410156		410767		410148	
			Thermal relay	410159		410159		410102	
			Motor protector	5090504		5151106		5151106	
			Transformer	5093500		transf. removed		transf. removed	
			Starter unit					5099345	
Master	8105.181	440-460V 60Hz YSER	Starter unit	5099315	-1129999 (2010-12-31)	5099335	-1159999 (2011-08-30)	5099345	-1179999 (2011-11-18)
			Contactor	410152		410148		410148	
			Thermal relay	410143		410143		410102	
			Motor protector	5090504		5151106		5151106	
			Transformer	5093500		transf. removed		transf. removed	
			Starter unit					5099345	
Master	8105.181	575-600V D 60Hz	Starter unit	5099320	-1089999 (2010-12-31)	5099332	-1159999 (2011-08-30)	5099336	1160001- (2011-08-31)
			Contactor	410156		410766		410142	
			Thermal relay	410157		410157		410143	
			Motor protector	5090505		5151106		5151106	
			Transformer	5093501		transf. removed		transf. removed	
			Starter unit						

All models	All voltages 50Hz	Terminal Plate unit				5164200	1150001- (2011-06-23)
	All voltages 60Hz	Terminal Plate unit				5164200	1160001- (2011-08-31)
	ONLY Star/Delta 50Hz	Protective casing				5094600	Same as before
	ONLY Star/Delta 50Hz	Connection plate				5094600	1150001- (2011-06-23)
	All voltages	Connection plate				5162400	see above
	All voltages	Cable set				5163901	see above

Matador

Pump model	Product no.	Voltage/Hz	Denomination	Grindex p/n	Previous version Last Ser.No (End date)	Grindex p/n	Intermediate version Last Ser.No (End date)	Grindex p/n	Actual version First Ser.No (Replacement date)
Matador	8106.180	220-230V D 50Hz	Starter unit	5099321	-1149999 (2011-06-21)			5099347	1150001- (2011-06-23)
			Contactor	410152		410762	410762		
			Thermal relay	410150		410749	410749		
			Motor protector	5090500		5151107	5151107		
Matador	8106.180	240V D 50Hz	Starter unit	5099318	-1149999 (2011-06-21)			5099347	1150001- (2011-06-23)
			Contactor	410764		410762	410762		
			Thermal relay	410102		410749	410749		
			Motor protector	5090500		5151107	5151107		
Matador	8106.180	380-415V 50Hz Star-Delta	Starter unit	5099900	-1149999 (2011-06-21)			5099902	1150001- (2011-06-23)
			Contactor	410146 x 3		410146 x 3	410146 x 3		
			Thermal relay	410102		410102	410102		
			Time relay	5014802		5014802	5014802		
Matador	8106.180	380-400V D 50Hz	Starter unit	5099311	-1149999 (2011-06-21)	5099348	-1179999 (2011-11-21)	5099348	1180001- (2011-11-21)
			Contactor	410147		410763		410816	
			Thermal relay	410102		410150		410822	
			Motor protector	5090501		5151105		5151105	

Continue.....

Date:
December 8, 2011

Technical Newsletter

No:
40



www.grindex.com

Subject:

Upgraded Starter units, Contactors, Terminal plate units and SMART on Minex – Matador, Salvador – Sandy

Matador continue.....

Pump model	Product no.	Voltage/Hz	Denomination	Grindex p/n	Previous version Last Ser.No (End date)	Grindex p/n	Intermediate version Last Ser.No (End date)	Grindex p/n	Actual version First Ser.No (Replacement date)		
Matador	8106.180	415-440V D 50Hz	Starter unit	5099313	-1149999 (2011-06-21)	5099349 410768 410150 5151105	-1179999 (2011-11-18)	5099348 410816 410822 5151105	1180001- (2011-11-21)		
			Contactor	410148							
			Thermal relay	410102							
			Motor protector	5090501							
Matador	8106.180	500V D 50Hz	Starter unit	5099304	-1149999 (2011-06-21)			5099350 410756 410466 5151105	1150001- (2011-06-23)		
			Contactor	410142							
			Thermal relay	410143							
			Motor protector	5090502							
Matador	8106.180	230-240V D 60Hz	Starter unit	5099316	-1159999 (2011-08-30)			5099351 410762 410750 5151108	1160001- (2011-08-31)		
			Contactor	410152							
			Thermal relay	410150							
			Motor protector	5090503							
Matador	8106.180	380-400V D 60Hz	Starter unit	5099322	-1089999 (2010-12-31)	5099334 410144 410102 5151106 transf. removed	-1159999 (2011-08-30)	5099352 410763 410150 5151106 transf. removed	-1179999 (2011-11-18)		
			Contactor	410145							
			Thermal relay	410102							
			Motor protector	5090504							
			Transformer	5093503					transf. removed	transf. removed	1180001- (2011-11-21)
			Starter unit							5099352	
			Contactor							410816	
			Thermal relay							410823	
Matador	8106.180	380-400V 60Hz (Not CSA)	Starter unit	5099307	-1159999 (2010-12-31)	5099352 410763 410150 5151106	-1179999 (2011-11-18)	5099352 410816 410823 5151106	1180001- (2011-11-21)		
			Contactor	410144							
			Thermal relay	410102							
			Motor protector	5090504							
Matador	8106.180	440-480V D 60Hz	Starter unit	5099323	-1129999 (2010-12-31)	5099335 410148 410143 5151106 transf. removed	-1159999 (2011-08-30)	5099337 410768 410150 5151106 transf. removed	-1179999 (2011-11-18)		
			Contactor	410145							
			Thermal relay	410143							
			Motor protector	5090504							
			Transformer	5093500					transf. removed	transf. removed	1180001- (2011-11-21)
			Starter unit							5099337	
			Contactor							410816	
			Thermal relay							410822	
Matador	8106.180	440-460V 60Hz Y SER	Starter unit	5099325	-1129999 (2010-12-31)	5099337 410768 410150 5151106 transf. removed	-1179999 (2011-11-18)	5099337 410816 410822 5151106 transf. removed	1180001- (2011-11-21)		
			Contactor	410152							
			Thermal relay	410150							
			Motor protector	5090504							
			Transformer	5093500						transf. removed	transf. removed
Matador	8106.180	460V 60Hz Star-Delta	Starter unit	5099901	-1149999 (2011-06-21)			5099903 410381 x 3 410102 5014802 5151106	1150001- (2011-06-23)		
			Contactor	410381 x 3							
			Thermal relay	410102							
			Time relay	5014802							
			Motor protector	5090504							
Matador	8106.180	575-600V D 60Hz	Starter unit	5099324	-1089999 (2010-12-31)	5099336 410142 410143 5151106 transf. removed	-1159999 (2011-08-30)	5099346 410756 410466 5151106 transf. removed	1160001- (2011-08-31)		
			Contactor	410145							
			Thermal relay	410143							
			Motor protector	5090505							
			Transformer							transf. removed	transf. removed

All models	All voltages 50Hz	Terminal Plate unit					5164300	1150001- (2011-06-23)
	All voltages 60Hz	Terminal Plate unit					5164300	1160001- (2011-08-31)
	ONLY Star/Delta 50/60Hz	Cable throughlet bushing					5102400	Same as before
	ONLY Star- Delta 50/60Hz	Connection plate					5100103	1150001- (2011-26-23)
	All voltages All voltages	Connection plate Cable set					5162500 5163902	see above see above

Date:
December 8, 2011

Technical Newsletter

No:
40



www.grindex.com

Subject:

Upgraded Starter units, Contactors, Terminal plate units
and SMART on Minex – Matador, Salvador – Sandy

Time for change

The change started at the end of year 2010 with removal of transformers on mainly 60Hz pumps and continued with changes during the year 2011 including change of contactors, overload relays & Smart motor protector. (see spread sheet for more information)

Reason for change

Change of supply chain for contactors and overload relays has forced Grindex to upgrade and modify Starter/Contactor units. At the same time the Smart is upgraded to cover bigger range of voltage. This will in long term result in fewer variations of Starter/Contactor units allowing better interchangeability between voltages & frequencies.

Spare parts & Interchangeability

Starter/Contactor units are fully interchangeable according spread sheet, check for your model, voltage and frequency (check starting method DOL or Y/D on Master & Matador).

Note! New electrical connection diagram has to be used when replacing contactor units, see spread sheet above.

When replacing individual parts such as contactors, overload relays, availability and interchangeability is limited. Please check with Grindex.

Motor protector Smart is interchangeable, see technical bulletin TNL 41 for Smart motor protector kit when replacing only motor protector.

Yours sincerely,

Jonas Bladh

Technical Support