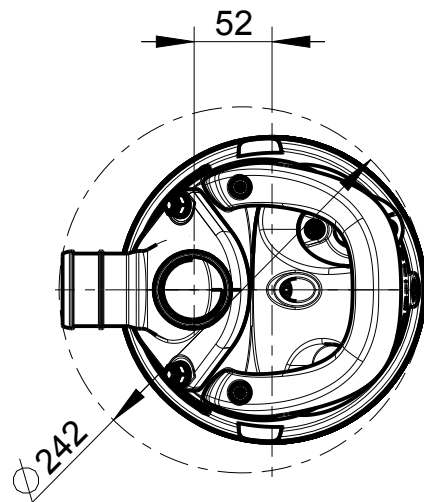
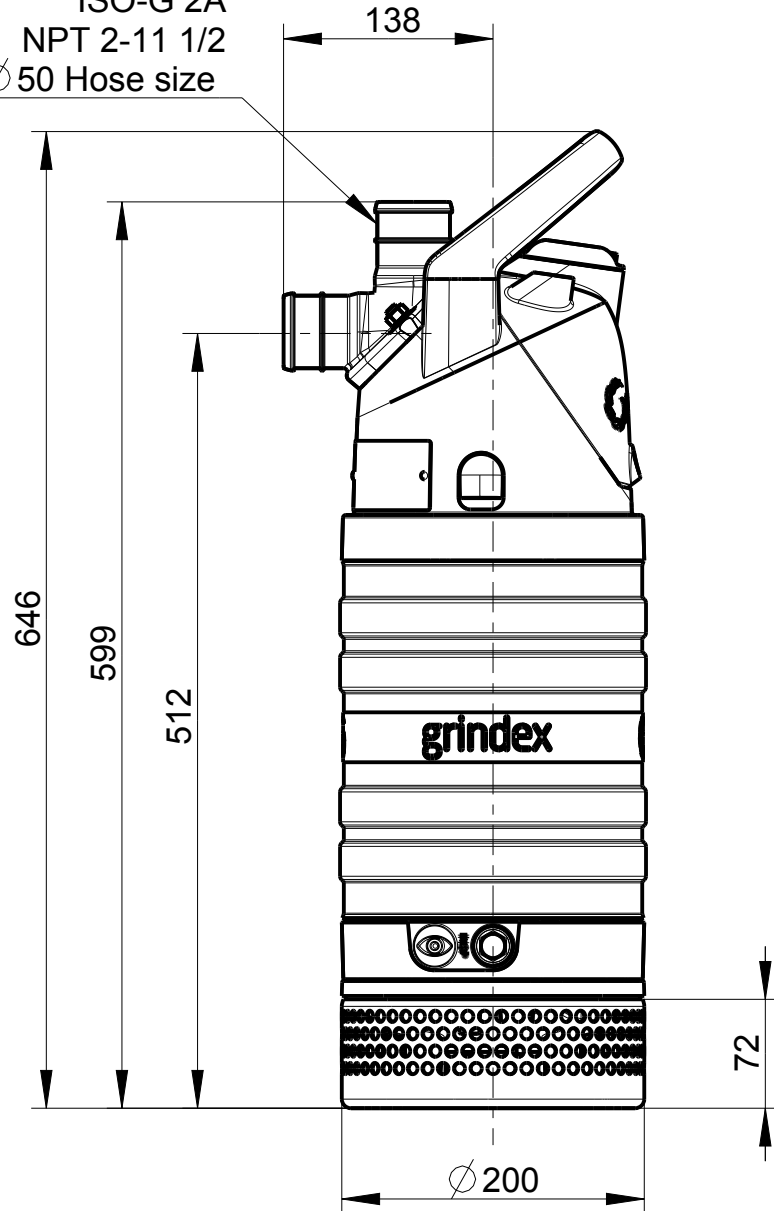


ISO-G 2A
NPT 2-11 1/2
Ø 50 Hose size



Weight (kg): 25

Screen opening Ø 9



grindex

Denomination

Dimensional drwg 8101.160

Sheet 1 of 1

Drawing No

8101-160

Rev

0

concept