

8110.281 Senior

Table of Contents

1	Introduction and Safety.....	3
1.1	Introduction.....	3
1.2	Safety terminology and symbols.....	3
1.3	User safety.....	4
1.4	Special hazards.....	4
1.4.1	Working in temporary installations.....	4
1.4.2	Biological hazards.....	4
1.4.3	Wash the skin and eyes.....	5
1.5	Protecting the environment.....	5
1.6	End-of-life product disposal.....	5
1.7	Spare parts.....	5
1.8	Warranty.....	5
2	Transportation and Storage.....	6
2.1	Examine the delivery.....	6
2.1.1	Examine the package.....	6
2.1.2	Examine the unit.....	6
2.2	Transportation guidelines.....	6
2.2.1	Precautions.....	6
2.2.2	Lifting.....	6
2.3	Temperature ranges for transportation, handling and storage.....	7
2.4	Storage guidelines.....	7
3	Product Description.....	8
3.1	Products included.....	8
3.2	Pump design.....	8
3.3	Monitoring equipment.....	8
3.3.1	Level regulators.....	8
3.4	The data plate.....	9
3.5	Motor regulation.....	10
4	Installation.....	11
4.1	Precautions.....	11
4.1.1	Hazardous atmospheres.....	11
4.2	Requirements.....	11
4.3	Install.....	12
4.4	Make the electrical connections.....	13
4.4.1	General precautions.....	13
4.4.2	Grounding (earthing).....	14
4.4.3	Product-specific precautions.....	15
4.4.4	Connect the motor cable to the pump.....	15
4.4.5	Cable charts.....	16
4.5	Check the phase sequence: Pumps with built-in motor protection.....	19
5	Operation.....	21
5.1	Precautions.....	21
5.2	Start the pump.....	21
5.3	Clean the pump.....	22

6	Maintenance.....	23
6.1	Precautions.....	23
6.2	Maintenance guidelines.....	23
6.3	Torque values.....	24
6.4	Service.....	25
6.4.1	Inspection.....	25
6.4.2	Overhaul.....	26
6.5	Change the oil.....	26
6.6	Replace the impeller.....	27
6.6.1	Remove the impeller.....	28
6.6.2	Install the impeller.....	29
7	Troubleshooting.....	31
7.1	General precautions.....	31
7.2	Electrical troubleshooting.....	31
7.3	The pump does not start.....	31
7.3.1	Pumps with SMART™: The pump does not start.....	32
7.4	The pump does not stop when a level sensor is used.....	33
7.5	The pump starts-stops-starts in rapid sequence.....	34
7.6	The pump runs but the motor protection trips.....	34
7.7	The pump delivers too little or no water.....	35
8	Technical Reference.....	37
8.1	Application limits.....	37
8.2	Motor data.....	37
8.3	Specific motor data.....	37
8.4	Dimensions and weights: 8110.....	39
8.5	Performance curves.....	39

1 Introduction and Safety

1.1 Introduction

EN

Purpose of the manual

The purpose of this manual is to provide the necessary information for working with the unit. Read this manual carefully before starting work.

Read and keep the manual

Save this manual for future reference, and keep it readily available at the location of the unit.

Intended use



WARNING:

Operating, installing, or maintaining the unit in any way that is not covered in this manual could cause death, serious personal injury, or damage to the equipment and the surroundings. This includes any modification to the equipment or use of parts not provided by Grindex. If there is a question regarding the intended use of the equipment, please contact a Grindex representative before proceeding.

Other manuals

See also the safety requirements and information in the original manufacturer's manuals for any other equipment furnished separately for use in this system.




1.2 Safety terminology and symbols

About safety messages

It is extremely important that you read, understand, and follow the safety messages and regulations carefully before handling the product. They are published to help prevent these hazards:



- Personal accidents and health problems
- Damage to the product and its surroundings
- Product malfunction

Hazard levels

Hazard level	Indication
 DANGER:	A hazardous situation which, if not avoided, will result in death or serious injury
 WARNING:	A hazardous situation which, if not avoided, could result in death or serious injury
 CAUTION:	A hazardous situation which, if not avoided, could result in minor or moderate injury
NOTICE:	Notices are used when there is a risk of equipment damage or decreased performance, but not personal injury.

Special symbols

Some hazard categories have specific symbols, as shown in the following table.

Electrical hazard	Magnetic fields hazard
 <p>Electrical Hazard:</p>	 <p>CAUTION:</p>

1.3 User safety

All regulations, codes, and health and safety directives must be observed.

The site

- Observe lockout and tagout procedures before starting work on the product, such as transportation, installation, maintenance, or service.
- Pay attention to the risks presented by gas and vapors in the work area.
- Always be aware of the area surrounding the equipment, and any hazards posed by the site or nearby equipment.

Qualified personnel

This product must be installed, operated, and maintained by qualified personnel only.

Protective equipment and safety devices

- Use personal protective equipment as needed. Examples of personal protective equipment include, but are not limited to, hard hats, safety goggles, protective gloves and shoes, and breathing equipment.
- Make sure that all safety features on the product are functioning and in use at all times when the unit is being operated.

1.4 Special hazards

1.4.1 Working in temporary installations

Certain industries, such as mining or construction, have a dynamic nature and require temporary installation of equipment. Due to the rugged nature of these applications, normal use of electrical equipment causes wear and tear that can result in insulation breaks, short-circuits, and exposed wires. To maximize safety when using the unit in rugged applications, the following conditions must be met:

- If electrical cables must be located such that they are at risk of being run over by heavy equipment, then provide mechanical protection to prevent physical damage to the cables.
- Visually inspect electrical equipment before use. Remove from service any equipment with exposed wires or visible damage.
- Use ground-fault circuit interrupters on all receptacles, or have an assured equipment grounding conductor program.

1.4.2 Biological hazards

The product is designed for use in liquids that can be hazardous to your health. Observe these rules when you work with the product:

- Make sure that all personnel who may come into contact with biological hazards are vaccinated against diseases to which they may be exposed.
- Observe strict personal cleanliness.



WARNING: Biological Hazard

Infection risk. Rinse the unit thoroughly with clean water before working on it.

1.4.3 Wash the skin and eyes

Follow these procedures for chemicals or hazardous fluids that have come into contact with your eyes or your skin:

Condition	Action
Chemicals or hazardous fluids in eyes	<ol style="list-style-type: none"> 1. Hold your eyelids apart forcibly with your fingers. 2. Rinse the eyes with eyewash or running water for at least 15 minutes. 3. Seek medical attention.
Chemicals or hazardous fluids on skin	<ol style="list-style-type: none"> 1. Remove contaminated clothing. 2. Wash the skin with soap and water for at least 1 minute. 3. Seek medical attention, if necessary.

EN

1.5 Protecting the environment

Emissions and waste disposal

Observe the local regulations and codes regarding:

- Reporting of emissions to the appropriate authorities
- Sorting, recycling and disposal of solid or liquid waste
- Clean-up of spills

Exceptional sites



CAUTION: Radiation Hazard

Do NOT send the product to Grindex if it has been exposed to nuclear radiation, unless Grindex has been informed and appropriate actions have been agreed upon.

1.6 End-of-life product disposal

Handle and dispose of all waste in compliance with local laws and regulations.

EU and UK only: Correct disposal of this product — waste electrical and electronic equipment

- EU: Directive 2012/19/EU on waste electrical and electronic equipment (WEEE)
- UK: SI 2013 No. 3113



WSD00973B

This marking on the product, accessories or literature indicates that the product should not be disposed of with other waste at the end of its working life.

1.7 Spare parts



CAUTION:

Only use the manufacturer's original spare parts to replace any worn or faulty components. The use of unsuitable spare parts may cause malfunctions, damage, and injuries as well as void the warranty.

1.8 Warranty

For information about warranty, see the sales contract.

2 Transportation and Storage

EN

2.1 Examine the delivery

2.1.1 Examine the package

1. Examine the package for damaged or missing items upon delivery.
2. Record any damaged or missing items on the receipt and freight bill.
3. If anything is out of order, then file a claim with the shipping company.
If the product has been picked up at a distributor, make a claim directly to the distributor.

2.1.2 Examine the unit

1. Remove packing materials from the product.
Dispose of all packing materials in accordance with local regulations.
2. To determine whether any parts have been damaged or are missing, examine the product.
3. If applicable, unfasten the product by removing any screws, bolts, or straps.
Use care around nails and straps.
4. If there is any issue, then contact a sales representative.

2.2 Transportation guidelines

2.2.1 Precautions



DANGER: Crush Hazard

Moving parts can entangle or crush. Always disconnect and lock out power before servicing to prevent unexpected startup. Failure to do so could result in death or serious injury.



Position and fastening

The unit can be transported either horizontally or vertically. Make sure that the unit is correctly fastened during transportation, and cannot roll or fall over.

2.2.2 Lifting

Always inspect the lifting equipment and tackle before starting any work.



WARNING: Crush Hazard

Always lift the unit by its designated lifting points.
Use suitable lifting equipment and ensure that the product is properly harnessed.
Wear personal protective equipment.
Stay clear of cables and suspended loads.

NOTICE:

Never lift the unit by its cables or hose.

2.3 Temperature ranges for transportation, handling and storage

Handling at freezing temperature

At temperatures below freezing, the product and all installation equipment, including the lifting gear, must be handled with extreme care.

Make sure that the product is warmed up to a temperature above the freezing point before starting up. Avoid rotating the impeller/propeller by hand at temperatures below the freezing point. The recommended method to warm the unit up is to submerge it in the liquid which will be pumped or mixed.

NOTICE:

Never use a naked flame to thaw the unit.

Unit in as-delivered condition

If the unit is still in the condition in which it left the factory - all packing materials are undisturbed - then the acceptable temperature range during transportation, handling and storage is: -50°C (-58°F) to $+60^{\circ}\text{C}$ ($+140^{\circ}\text{F}$).

If the unit has been exposed to freezing temperatures, then allow it to reach the ambient temperature of the sump before operating.

Lifting the unit out of liquid

The unit is normally protected from freezing while operating or immersed in liquid, but the impeller/propeller and the shaft seal may freeze if the unit is lifted out of the liquid into a surrounding temperature below freezing.

Follow these guidelines to avoid freezing damage:

1. Empty all pumped liquid, if applicable.
2. Check all liquids used for lubrication or cooling, both oil and water-glycol mixtures, for the presence of unacceptable amounts of water. Change if needed.

Water-glycol mixtures: Units equipped with an internal closed-loop cooling system are filled with a mixture of water and 30% glycol. This mixture remains a flowing liquid at temperatures down to -13°C (9°F). Below -13°C (9°F), the viscosity increases such that the glycol mixture will lose its flow properties. However, the glycol-water mixture will not solidify completely and thus cannot harm the product.

2.4 Storage guidelines

Storage location

The product must be stored in a covered and dry location free from heat, dirt, and vibrations.

NOTICE:

Protect the product against humidity, heat sources, and mechanical damage.

NOTICE:

Do not place heavy weights on the packed product.

Long-term storage

If the unit is stored for more than six months, then the following apply:

- Before operating the unit after storage, it must be inspected. Special attention must be given to the seals and the cable entry.
- The impeller or propeller must be rotated every other month to prevent the seals from sticking together.

3 Product Description

3.1 Products included

Pump model	Standard version	Ex-proof	MSHA	Drainage	Sludge
Senior 8110.281	X				X

3.2 Pump design

The pump is submersible, and driven by an electric motor.

Intended use

The product is intended for moving waste water, sludge, raw and clean water. Always follow the limits given in [Technical Reference](#) on page 37. If there is a question regarding the intended use of the equipment, then contact a sales or authorized service representative before proceeding.



DANGER: Explosion/Fire Hazard

Special rules apply to installations in explosive or flammable atmospheres. Do not install the product or any auxiliary equipment in an explosive zone unless it is rated explosion-proof or intrinsically-safe. If the product is rated explosion-proof or intrinsically-safe, then see the specific explosion-proof information in the safety chapter before taking any further actions.

NOTICE:

Do NOT use the unit in highly corrosive liquids.

For information about pH, see [Technical Reference](#) on page 37.

Particle size

The pump can handle liquid containing particles with the diameter of 80 mm (3.15 in).

Pressure class

N Medium head

Impeller type

Sludge

3.3 Monitoring equipment

The following applies to the monitoring equipment of the pump:

- The stator incorporates thermal contacts connected in series that activate the alarm at overtemperature.
- The thermal contacts open at 140°C (284°F) and close at 105°C (221°F).

3.3.1 Level regulators

About level regulators

Starting and stopping the pump at different water levels can be manual or automatic. If automatic start and stop is required, a level regulator can be ordered (as an option). The option is only available for standard pumps.

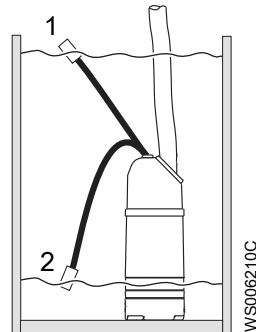
Features

Below are some of the features of the level regulators:

- The level regulator can be set at different operating levels by adjusting the length of cable.
- A clamping bracket situated at the lifting handle holds the level regulator cable in place.
- If continuous pumping is required, the level regulator can be placed in a special rubber bracket on the discharge connection to eliminate the level regulator function.

EN

Illustration



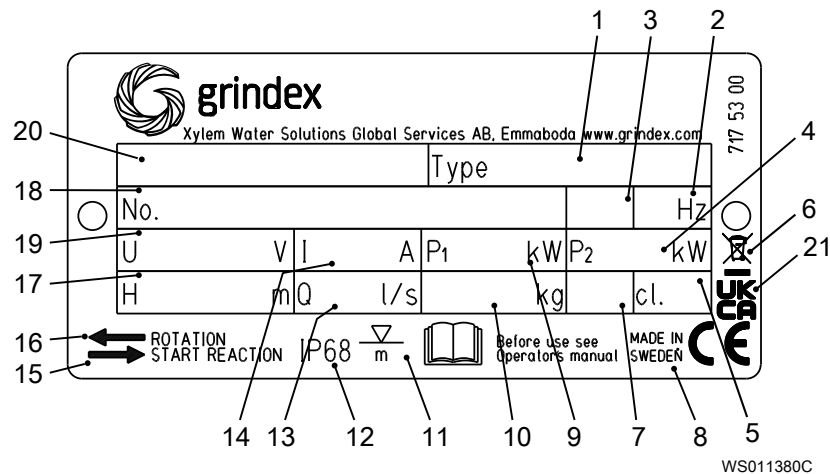
1. The pump turns on when the water level rises to this point.
2. The pump turns off when the water level has gone down to this point.

3.4 The data plate

Introduction

The data plate is a metal label located on the main body of the pump. The data plate lists key product specifications.

The data plate



1. Pump type number
2. Frequency
3. Phases, type of current
4. Rated shaft power
5. Thermal class
6. WEEE-Directive symbol
7. Locked rotor code-letter
8. Country of origin
9. Maximum power consumption
10. Product weight
11. Maximum submersion depth
12. Degree of protection
13. Maximum capacity
14. Rated current
15. Direction of the start reaction
16. Direction of the impeller rotation
17. Maximum head
18. Serial number
19. Rated voltage
20. Pump model
21. UKCA marking

3.5 Motor regulation

This product is submersible and therefore exempted from the motor efficiency requirement, in accordance with EU commission regulation 2019/1781 Article 2(2)(e).

EN

4 Installation

4.1 Precautions

EN

Before starting work, make sure that the safety instructions have been read and understood.



DANGER: Electrical Hazard

Before starting work on the unit, make sure that the unit and the control panel are isolated from the power supply and cannot be energized. This applies to the control circuit as well.



DANGER: Inhalation Hazard

Before entering the work area, make sure that the atmosphere contains sufficient oxygen and no toxic gases.

4.1.1 Hazardous atmospheres



DANGER: Explosion/Fire Hazard

Special rules apply to installations in explosive or flammable atmospheres. Do not install the product or any auxiliary equipment in an explosive zone unless it is rated explosion-proof or intrinsically-safe. If the product is rated explosion-proof or intrinsically-safe, then see the specific explosion-proof information in the safety chapter before taking any further actions.

Authority regulation

Vent the tank of a sewage station in accordance with local plumbing codes.

4.2 Requirements

Sedimentation prevention

In order to avoid sedimentation when the pumped liquid contains solid particles, the velocity of the liquid in the discharge line must exceed a certain value. Choose applicable minimum velocity from the table, and choose proper dimension of the discharge line accordingly.

Mixture	Minimum velocity, meter per second (feet per second)
Water + coarse gravel	4 (13)
Water + gravel	3.5 (11)
Water + sand, particle size <0.6 mm (0.024 in)	2.5 (8.2)
Water + sand, particle size <0.1 mm (0.004 in)	1.5 (4.9)

For more permanent installations with a heavily contaminated pumped liquid, a settling pump-sump is recommended.

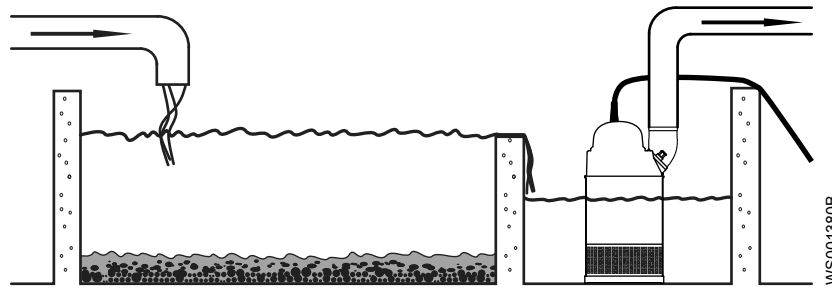
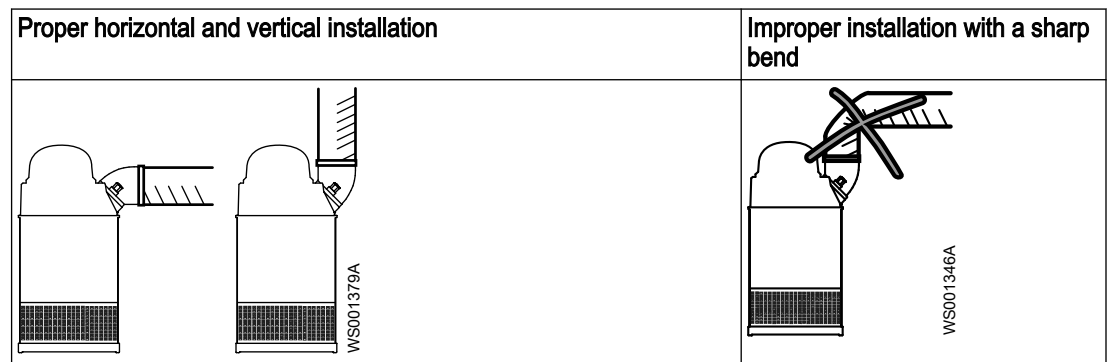


Figure 1: Settling pump-sump

Discharge line requirements

The discharge line can be run vertically or horizontally, but must be without sharp bends.



Fasteners

- Only use fasteners of the correct size and material.
- Replace all corroded or damaged fasteners.
- Make sure that all the fasteners are correctly tightened and that there are no missing fasteners.

4.3 Install

The pump is transportable and intended to operate either completely or partially submerged in the pumped liquid. The pump is equipped with a connection for hose or pipe.

These requirements and instructions only apply when the installation is made according to the dimensional drawing.

1. Run the cable so that it has no sharp bends, is not pinched, and cannot be sucked into the pump inlet.
2. Connect the discharge line.

The discharge line can be run vertically or horizontally, but must be without sharp bends.

3. Lower the pump into the sump.

The cable must not be used for this purpose. You should attach a rope or similar to the handle or the eye bolts for lowering and lifting the pump.

Heavier pumps must be lifted and lowered down by crane. Suspend the pump by the lifting handle or the eye bolts with chains or wires.

4. Place the pump on the base and make sure it cannot fall over or sink.

The base should consist of a plank, a bed of coarse gravel, or a cut-down and perforated oil drum.

Alternatively, the pump can be suspended with a lifting chain just above the sump bottom. Make sure that the pump cannot rotate at start-up or during operation.

5. Connect the motor cable and the starter and monitoring equipment according to the separate instructions.

Make sure that the phase sequence is correct. For more information, see [Check the phase sequence: Pumps with built-in motor protection](#) on page 19.

4.4 Make the electrical connections

4.4.1 General precautions



DANGER: Electrical Hazard

Before starting work on the unit, make sure that the unit and the control panel are isolated from the power supply and cannot be energized. This applies to the control circuit as well.



WARNING: Electrical Hazard

Risk of electrical shock or burn. A certified electrician must supervise all electrical work. Comply with all local codes and regulations.



WARNING: Electrical Hazard

There is a risk of electrical shock or explosion if the electrical connections are not correctly carried out, or if there is fault or damage on the product. Visually inspect equipment for damaged cables, cracked casings or other signs of damage. Make sure that electrical connections have been correctly made.



WARNING: Crush Hazard

Risk of automatic restart.



CAUTION: Electrical Hazard

Prevent cables from becoming sharply bent or damaged.

NOTICE:

Leakage into the electrical parts can cause damaged equipment or a blown fuse. Keep the cable ends dry at all times.

Requirements

These general requirements apply for the electrical installation:

- If the pump will be connected to the public mains, then the supply authority must be notified before installing the pump. When the pump is connected to the public power supply, it can cause flickering of incandescent lamps when started.
- The mains voltage and frequency must agree with the specifications on the data plate. If the pump can be connected to different voltages, then follow the specified voltage on the yellow sticker close to the cable entry.
- If the operation can be intermittent, such as S3 periodic duty, then the pump must be supplied with monitoring equipment supporting such operation.
- The thermal contacts or thermistors must be in use.

Motor and short-circuit protection

NOTICE:

A qualified electrician must select the size of motor protection breakers and fuses. The size must be chosen for the specific motor data such as rated current and starting current.

It is important that the short-circuit protection is not over-dimensioned. Over-dimensioned fuses or motor protection breakers decrease the protection for the motor.

- The fuse rating and the cables must be in accordance with the local rules and regulations.
- The fuses and circuit breakers must have the correct rating.
- The pump overload protection must be connected and set to the rated current.

The starting current in direct-on-line start can be up to six times higher than the rated current.

For more information, see the data plate and if applicable, the cable chart for the rated current.

Cables

When cables are installed, these requirements must be followed:

- The cables must be in good condition, not have any sharp bends, and not be pinched.
- The cables must not be damaged and must not have indentations.
- The cables must not be embossed at the cable entry.
- The cable entry seal sleeve and washers must conform to the outer diameter of the cable.
- The minimum bend radius must not be smaller than the accepted value.
- If a cable is reused, a short piece at the end must be peeled off when the cable is refitted. This action is necessary so that the seal sleeve of the cable entry does not close around the cable at the same point again. If the outer jacket of the cable is damaged, then the cable must be replaced.

Contact a sales or authorized service representative.

- The voltage drop in long cables must be considered. The rated voltage of the drive unit is the voltage that is measured at the cable connection point in the pump.
- If a variable frequency drive (VFD) is used, the screened cable must be used according to the European CE and EMC requirements. For more information, contact a sales or authorized service representative.
- For SUBCAB™ cables, the twisted pair copper foil must be trimmed.
- All unused conductors must be insulated.

4.4.2 Grounding (earthing)

Grounding (earthing) must be done in compliance with all local codes and regulations.



DANGER: Electrical Hazard

All electrical equipment must be grounded (earthed). Test the ground (earth) lead to verify that it is connected correctly and that the path to ground is continuous.



WARNING: Electrical Hazard

Risk of electrical shock. The ground (earth) lead must be sufficiently longer than the phase leads to make sure that the ground lead is the last to become disconnected if the cable is jerked loose.



WARNING: Electrical Hazard

Risk of electrical shock or burn. You must connect an additional ground- (earth-) fault protection device to the grounded (earthed) connectors if persons are likely to come into contact with liquids that are also in contact with the pump or pumped liquid.

Ground (earth) conductor length

The ground (earth) conductor must be longer than the phase conductors in the junction box of the unit. The table shows how much longer, than the phase conductors, the ground (earth) conductor must be.

Pump	Extra length of ground conductor	
	mm	in.
8110.281	270	10.6

EN

4.4.3 Product-specific precautions

This information is valid only for standard version products.

For a pump with a level regulator and a cable with ground (earth) check: Make sure that the ground (earth) check connection is done at the GC-connection point with a cable lug and one screw. Connect the ground cable from the level switch to the other screw at the GC-connection point.

4.4.4 Connect the motor cable to the pump

NOTICE:

Leakage into the electrical parts can cause damaged equipment or a blown fuse. Keep the end of the motor cable dry at all times.

1. Check the data plate to see which connections are required for the power supply.
2. Connect the motor cable conductors, including ground (earth), to the terminal or starter unit.
3. Make sure that the pump is correctly connected to ground (earth).
4. Tighten the cable entry into its bottom-most position.

The seal sleeve and the washers must conform to the outside diameter of the cables.

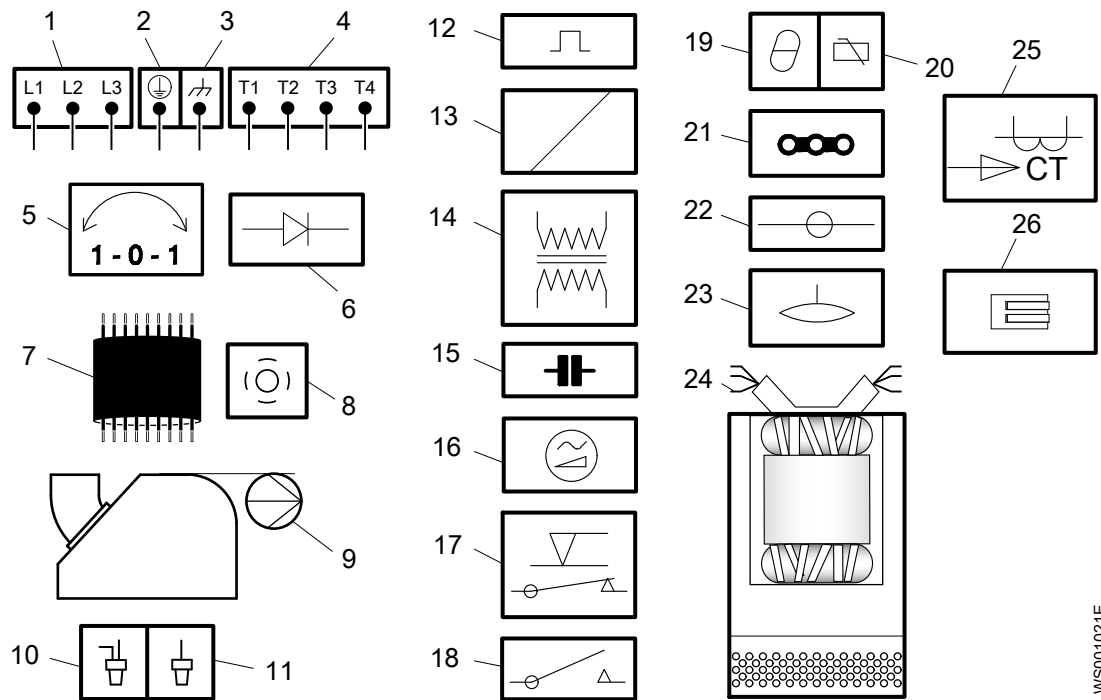
DANGER: Explosion/Fire Hazard

Special rules apply to installations in explosive or flammable atmospheres. Do not install the product or any auxiliary equipment in an explosive zone unless it is rated explosion-proof or intrinsically-safe. If the product is rated explosion-proof or intrinsically-safe, then see the specific explosion-proof information in the safety chapter before taking any further actions.



4.4.5 Cable charts

Connection locations



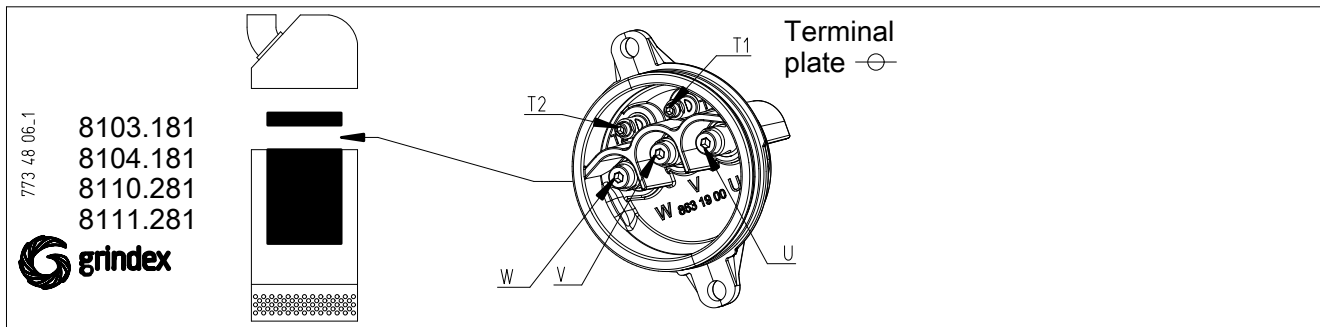
1	Starter equipment and main leads (L1, L2, L3)	14	Transformer
2	Ground (earth)	15	Capacitor
3	Functional ground	16	Softstarter
4	Control leads (T1, T2, T3, T4)	17	Level regulator
5	Phase shifter	18	Contactor, start relay or thermal relay
6	Diode	19	Thermal detector in stator
7	Motor cable	20	Thermal detector in main bearing
8	Screen	21	Jumper
9	Pump	22	Terminal board, terminal plate
10	Crimp connection	23	Leakage sensor
11	Crimp isolation	24	Stator leads (U1, U2, U5, U6, V1, V2, V5, V6, W1, W2, W5, W6, Z1, Z5, Z6)
12	Motor protector	25	Current transformer
13	Coil	26	Terminal block

Color code standard

Code	Description
BN	Brown
BK	Black
WH	White
OG	Orange
GN	Green
GNYE	Green-Yellow
RD	Red

Code	Description
GY	Grey
BU	Blue
YE	Yellow

Stator leads and thermal contacts connection to the terminal plate



STATOR LEADS AND THERMAL CONTACTS

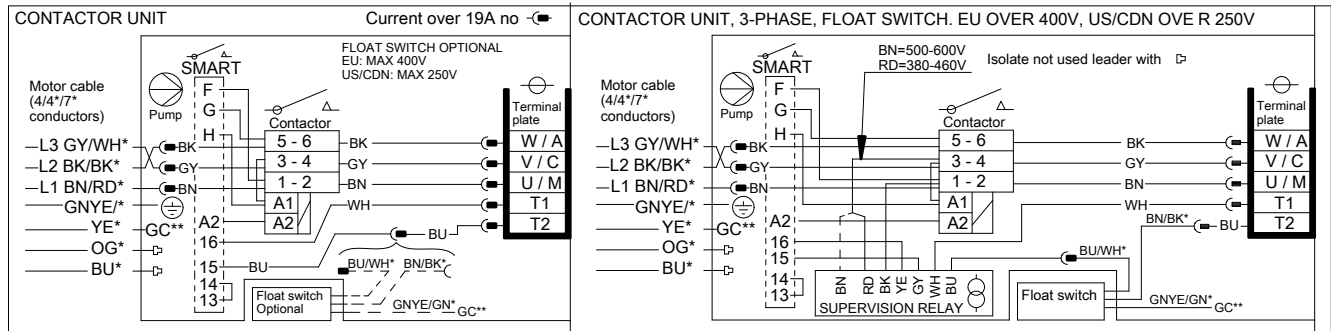
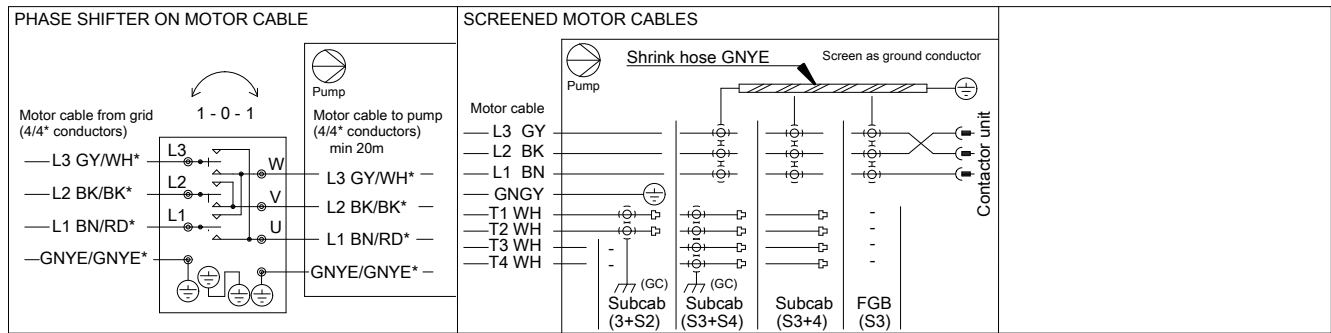
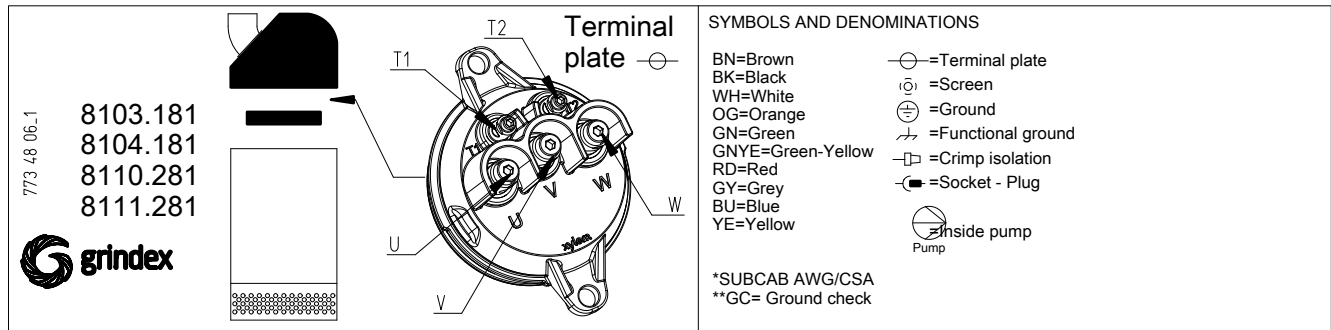
Terminal plate	3 leads Y	6 leads D	6 leads Y	9 leads Y serial	9 leads Y //	12 leads Y //	12leads D serial	12 leads D //
W	W	W1 V2	W1	W1	W1 W5	W1 W5	W1 V6	W1 W5 V2 V6
V	V	V1 U2	V1	V1	V1 V5	V1 V5	V1 U6	V1 V5 U2 U6
U	U	U1 W2	U1	U1	U1 U5	U1 U5	U1 W6	U1 U5 W2 W6
T1	T1	T1	T1	T1	T1	T1	T1	T1
T2	T2	T2	T2	T2	T2	T2	T2	T2
			W2 V2 U2	W2→W5 V2→V5 U2→U5	W2 V2 U2	W2 V2 U2	W2→W5 V2→V5 U2→U5	

STATOR LEADS

- U1,U5 RD
- U2,U6 GN
- V1,V5 BN
- V2,V6 BU
- W1,W5 YE
- W2,W6 BK
- T1,T2 WH/YE

WS004924D

Motor cable and starter unit connection to the terminal plate



Thermal contact ratings

	IEC/EN	UL/CSA
Maximum voltage	500 V	250 V
Maximum current	1.3 A	2.5 A
Phase factor, cos φ	0.6	1

Terminal board ratings

All copper conductors must be stranded.

Table 1: Power terminal

	IEC/EN	UL/CSA
Maximum voltage	1000 V	600 V
Maximum current	70 A	70 A
Wire size	0.75–16 mm ²	18–6 AWG
Torque	8 Nm (6 lbf-ft)	8 Nm (6 lbf-ft)

Table 2: Signal terminal

	IEC/EN	UL/CSA
Maximum voltage	500 VAC / 24 VDC	250 VAC / 24 VDC
Maximum current	2.5 A	2.5 A

	IEC/EN	UL/CSA
Wire size	0.5–6 mm ²	20–10 AWG
Torque	3 Nm (2 lbf-ft)	3 Nm (2 lbf-ft)

4.5 Check the phase sequence: Pumps with built-in motor protection

EN

Follow this procedure if your product is equipped with the rotation control SMART™.



CAUTION: Crush Hazard

The starting jerk can be powerful. Make sure nobody is close to the unit when it is started.

The correct direction of impeller rotation is clockwise when you look at the pump from above. When started, the pump will react in the opposite direction to the impeller rotation.

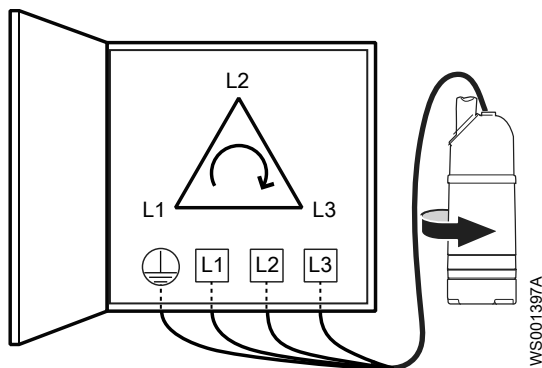
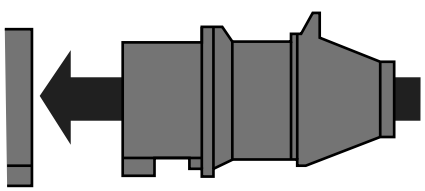
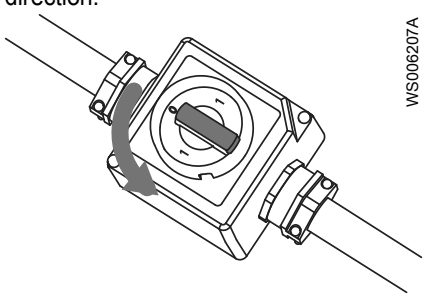


Figure 2: Start reaction

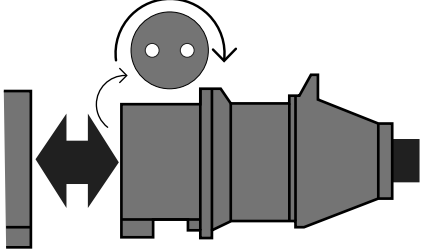
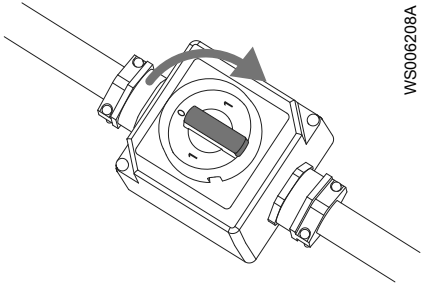
1. Connect the pump to power as follows:

Condition	Action
The pump has a CEE plug with internal phase shifter.	Connect the plug.  WS006205A
The pump has a phase shifter with an on/off switch.	Turn the knob on the phase shifter in either direction.  WS006207A
The pump has neither a CEE plug with internal phase shifter, nor a phase shifter with an on/off switch.	<ol style="list-style-type: none"> 1. Connect the pump to power. 2. Switch on the power.

The pump should start. If it does not, then continue to the next step.

2. If the pump does not start and the fuses are correct, then shift two phases:

EN

Condition	Action
<p>The pump has a CEE plug with internal phase shifter.</p>	<ol style="list-style-type: none"> 1. Pull out the plug. 2. Shift two phases. 3. Wait until the motor has stopped. 4. Connect the plug.  <p style="text-align: right; font-size: small;">WS006208A</p>
<p>The pump has a phase shifter with an on/off switch.</p>	<ol style="list-style-type: none"> 1. Turn the knob on the phase shifter to neutral position. 2. Wait until the motor has stopped. 3. Turn the knob to the opposite position from before.  <p style="text-align: right; font-size: small;">WS006208A</p>
<p>The pump has neither a CEE plug with internal phase shifter, nor a phase shifter with an on/off switch.</p>	<p>Transpose two phase leads on the output terminal of the starter.</p>

NOTICE:

Do not reverse the phase sequence while the pump is running. Temporarily incorrect rotation can occur, resulting in damage to motor electronics and rotating parts.

The pump should start. If it does not, then contact a certified electrician to check the mains and the junctions.

5 Operation

5.1 Precautions

EN

Before taking the unit into operation, check the following:

- All recommended safety devices are installed.
- The cable and cable entry have not been damaged.
- All debris and waste material has been removed.

NOTICE:

Never operate the pump with the discharge line blocked, or the discharge valve closed.



WARNING: Crush Hazard

Risk of automatic restart.

Distance to wet areas



WARNING: Electrical Hazard

Risk of electrical shock or burn. You must connect an additional ground- (earth-) fault protection device to the grounded (earthed) connectors if persons are likely to come into contact with liquids that are also in contact with the pump or pumped liquid.



CAUTION: Electrical Hazard

Risk of electrical shock or burn. The equipment manufacturer has not evaluated this unit for use in swimming pools. If used in connection with swimming pools then special safety regulations apply.

Noise level

NOTICE:

The sound power level of the product is lower than 70 dB(A). However, in some installations the resulting sound pressure level may exceed 70 dB(A) at certain operating points on the performance curve. Make sure that you understand the noise level requirements in the environment where the product is installed. Failure to do so may result in hearing loss or violation of local laws.

Do not allow the pump to snore or run dry

The equipment must never run dry during operation. The volute must be filled with liquid during operation.

Dry running during service and inspection is only allowed less than one minute for each occasion.

5.2 Start the pump



CAUTION: Crush Hazard

The starting jerk can be powerful. Make sure nobody is close to the unit when it is started.



CAUTION: Thermal Hazard

The surfaces or parts of the unit may become hot during operation. Allow surfaces to cool before starting work, or wear heat-protective clothing.

NOTICE:

Make sure that the rotation of the impeller is correct. For more information, see Check the impeller rotation.

1. Inspect the pump. Check that there is no physical damage to the pump or cables.
 2. Check the oil level in the oil housing.
 3. Remove the fuses or open the circuit breaker, and check that the impeller can rotate freely.
-

**WARNING: Crush Hazard**

Never put your hand into the pump housing.

4. Check that the monitoring equipment (if any) works.
 5. Check that the impeller rotation is correct.
 6. Start the pump.
-

5.3 Clean the pump

The pump must be cleaned if it has been running in very dirty water. If clay, cement or other similar dirt is left in the pump it may clog the impeller and seal, preventing the pump from working.

Let the pump run for a while in clean water, or flush it through the discharge connection.

6 Maintenance

6.1 Precautions

EN

Before starting work, make sure that the safety instructions have been read and understood.



DANGER: Crush Hazard

Moving parts can entangle or crush. Always disconnect and lock out power before servicing to prevent unexpected startup. Failure to do so could result in death or serious injury.



DANGER: Inhalation Hazard

Before entering the work area, make sure that the atmosphere contains sufficient oxygen and no toxic gases.



WARNING: Biological Hazard

Infection risk. Rinse the unit thoroughly with clean water before working on it.



CAUTION: Crush Hazard

Make sure that the unit cannot roll or fall over and injure people or damage property.

Make sure that you follow these requirements:

- Check the explosion risk before you weld or use electrical hand tools.
- Allow all system and pump components to cool before you handle them.
- Make sure that the product and its components have been thoroughly cleaned.
- Before starting work, make sure that the work area is well-ventilated.
- Do not open any vent or drain valves or remove any plugs while the system is pressurized. Make sure that the pump is isolated from the system and that pressure is relieved before you disassemble the pump, remove plugs, or disconnect piping.

Ground continuity verification

A ground (earth) continuity test must always be performed after service.

6.2 Maintenance guidelines

During the maintenance and before reassembly, always remember to perform these tasks:

- Clean all parts thoroughly, particularly O-ring grooves.
- Change all O-rings, gaskets, and seal washers.
- Lubricate all springs, screws, O-rings with grease.

For an optimal corrosion protection, all O-rings and adjacent surfaces must be coated with Exxon Mobil Unirex N3 or equivalent.

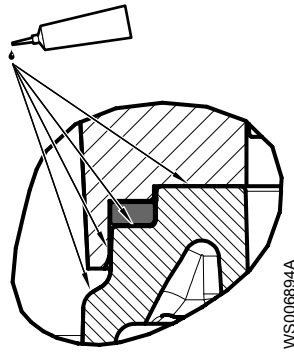


Figure 3: Example of O-ring adjacent surfaces

During the reassembly, always make sure that existing index markings are in line.

The reassembled drive unit must always be insulation-tested and the reassembled pump must always be test-run before normal operation.

6.3 Torque values

All screws and nuts must be lubricated to achieve correct tightening torque. Screws that are screwed into stainless steel must have the threads coated with applicable lubricants to prevent seizing.

If there is a question regarding the tightening torques, then contact a sales or authorized service representative.

Screws and nuts

Table 3: Stainless steel, A2 and A4, torque Nm (lbf-ft)

Property class	M4	M5	M6	M8	M10	M12	M16	M20	M24	M30
50	1.0 (0.74)	2.0 (1.5)	3.0 (2.2)	8.0 (5.9)	15 (11)	27 (20)	65 (48)	127 (93.7)	220 (162)	434 (320)
70, 80	2.7 (2)	5.4 (4)	9.0 (6.6)	22 (16)	44 (32)	76 (56)	187 (138)	364 (268)	629 (464)	1240 (915)
100	4.1 (3)	8.1 (6)	14 (10)	34 (25)	66 (49)	115 (84.8)	248 (183)	481 (355)	—	—

Table 4: Steel, torque Nm (lbf-ft)

Property class	M4	M5	M6	M8	M10	M12	M16	M20	M24	M30
8.8	2.9 (2.1)	5.7 (4.2)	9.8 (7.2)	24 (18)	47 (35)	81 (60)	194 (143)	385 (285)	665 (490)	1310 (966.2)
10.9	4.0 (2.9)	8.1 (6)	14 (10)	33 (24)	65 (48)	114 (84)	277 (204)	541 (399)	935 (689)	1840 (1357)
12.9	4.9 (3.6)	9.7 (7.2)	17 (13)	40 (30)	79 (58)	136 (100)	333 (245)	649 (480)	1120 (825.1)	2210 (1630)

Table 5: Brass, torque Nm (lbf-ft)

M5	M8	M10
2.7 (2.0)	11 (8.1)	22 (16.2)

Hexagon screws with countersunk heads

For hexagon socket head screws with countersunk head, maximum torque for all property classes must be 80% of the values for property class 8.8.

Round nuts with set screws

Table 6: Set screw, torque Nm (lbf-ft)

The torque values are only valid for the set screw, and not for the round nut.

M8	M10
18 (13)	35 (26)

6.4 Service

Regular inspection and service of the pump ensures more reliable operation.

Type of service	Purpose	Inspection interval
Inspection	To prevent operational interruptions and machine breakdown. Measures to secure performance and pump efficiency are defined and decided for each individual application. It can include such things as impeller trimming, wear part control and replacement, control of zinc-anodes and control of the stator.	Twice a year
Overhaul	To secure a long operating lifetime for the product. It includes replacement of key components and the measures taken during an inspection.	Every year, under normal operating conditions

NOTICE:

Shorter intervals may be required when the operating conditions are extreme, for example with very abrasive or corrosive applications or when the liquid temperatures exceed 40°C (104°F).

6.4.1 Inspection

Regular inspection and service of the pump ensures more reliable operation.

Service item	Action
Visible parts on the pump and installation	<ol style="list-style-type: none"> 1. Check that all screws, bolts, and nuts are properly tightened. 2. Check the condition of the cooling jacket, strainer, cover, lifting handles, eye bolts, ropes, chains, and wires. 3. Check for worn or damaged parts. 4. Adjust and/or replace if necessary.
Pipes, valves, and other peripheral equipment	<ol style="list-style-type: none"> 1. Check for worn or damaged parts. 2. Adjust and/or replace if necessary.
Impeller	<ol style="list-style-type: none"> 1. Check for worn or damaged parts. 2. Adjust and/or replace if necessary. <p>Wear on the impeller or surrounding parts necessitates fine adjustments of the impeller or replacement of worn parts.</p>
Oil	<p>Check the oil:</p> <ol style="list-style-type: none"> 1. Take an oil sample. 2. If the oil contains particles, then replace the mechanical seal. Contact an authorized service shop. <p>Make sure that the volume is filled to the correct level. A smaller amount of water is not harmful for the mechanical seal.</p>

Service item	Action
Cable entry	<ol style="list-style-type: none"> Check that the following requirements are met: <ul style="list-style-type: none"> Standard pump version: The cable entry must be firmly tightened into its bottom-most position. The seal sleeve and the washers must conform to the outside diameter of the cables. Cut off a piece of the cable so that the seal sleeve closes around a new position on the cable. Replace the seal sleeve, if necessary.
Inspection volume ¹	<ol style="list-style-type: none"> Remove the inspection screw. Drain all liquid, if any. If there is oil in the inspection volume, then empty the oil and check again after one week. If there is oil in the inspection volume again, then replace the mechanical seal. Contact an authorized service shop. If there is water in the inspection volume, then check that the inspection screw O-ring is not damaged. Check that the inspection screw is properly tightened.
Cable	<ol style="list-style-type: none"> If the outer jacket is damaged, then replace the cable. Check that the cables do not have any sharp bends and are not pinched.
Cooling system	If the flow through the system has been partly restricted, then rinse and clean.
Level sensors or other sensor equipment	<ol style="list-style-type: none"> Check the functionality. Repair or replace any damaged equipment. Clean and adjust the equipment.
Starter equipment	<ol style="list-style-type: none"> Check the condition and functionality. Contact an electrician, if necessary.
Insulation resistance in the stator	<ol style="list-style-type: none"> Check the insulation between: <ul style="list-style-type: none"> Phase–phase on the stator Phase–ground (earth) <p>The insulation should be > 1 megaohm. Use a 1000-VDC megger to test the insulation.</p> If the resulting value is < 1 megaohm, then contact an authorized service shop.

6.4.2 Overhaul

The basic repair kit includes O-rings, seals, and bearings.

For an overhaul, do the following in addition to the tasks listed under Inspection.

Service item	Action
Support and main bearing	Replace the bearings with new bearings.
Mechanical seal	Replace with new seal units.

6.5 Change the oil

A paraffin oil with viscosity close to ISO VG32 is recommended. The pump is delivered from the factory with this type of oil. Examples of suitable oil types are the following:

- Statoil MedicWay 32
- BP Enerpar M 004
- Shell Ondina 927
- Shell Ondina X430

In applications where poisonous properties are of less concern, a mineral oil with viscosity up to ISO VG32 can be used.

¹ Regardless of individual applications, the inspection volume should not be inspected less frequently than the intervals for normal applications and operating conditions at media (liquid) temperatures <40°C (104°F).



1. Inspection screw
2. Oil screw

Figure 4: Symbols

Empty the oil

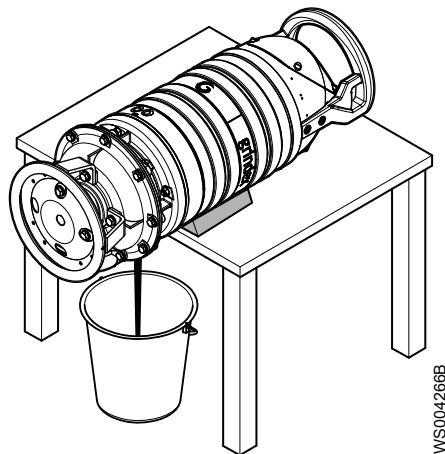
1. Lay the pump on its side.
Lock the pump with supports to prevent it from rolling over.
2. Remove the oil screw.
There are two oil screws. Either screw can be used for drainage, but it is easier to drain the oil if both oil screws are removed.



CAUTION: Compressed Gas Hazard

Air inside the chamber may cause parts or liquid to be propelled with force. Be careful when opening. Allow the chamber to de-pressurize before removal of the plug.

3. Turn the pump so that the oil hole faces downwards and let the oil run out into a container.



W5004268B

Fill with oil

1. Replace the oil screw O-ring.
2. Put one of the oil screws back and tighten it.
3. Turn the pump so that the oil hole faces up and fill by using new oil.
Fill until the oil level reaches the inlet hole.

Pump	Oil Quantity	
	Liters	Quarts
8110.281	0.59	0.62

4. Put the oil screw back and tighten it.

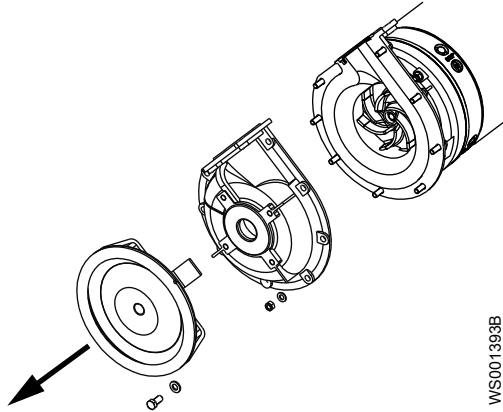
6.6 Replace the impeller

6.6.1 Remove the impeller

**CAUTION: Cutting Hazard**

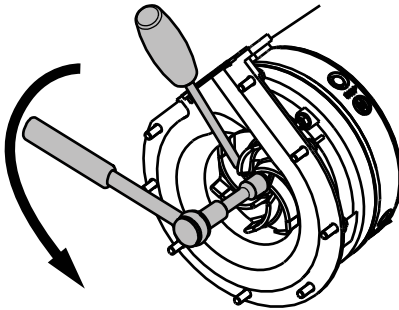
Worn parts can have sharp edges. Wear protective clothing.

1. Position the pump on its side. Secure the pump so that it does not roll.
2. Remove the stand and the lower pump housing.



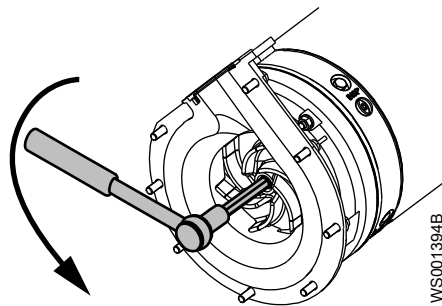
WS001393B

3. Loosen the impeller:
 - a) Lock the impeller to prevent rotation.
Use pliers, a screwdriver, or similar.
 - b) Remove the impeller screw and washer.



WS001392A

4. Remove the impeller:
 - a) Lock the impeller to prevent rotation.
Use pliers, a screwdriver, or similar.
 - b) Turn the adjustment screw counterclockwise until the impeller breaks free from the shaft.
Use an 8 mm hexagon bit adapter (Allen socket) with a 100 mm (4 in.) extension.



WS001394B

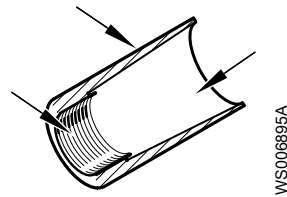
- c) Pull off the impeller.

6.6.2 Install the impeller

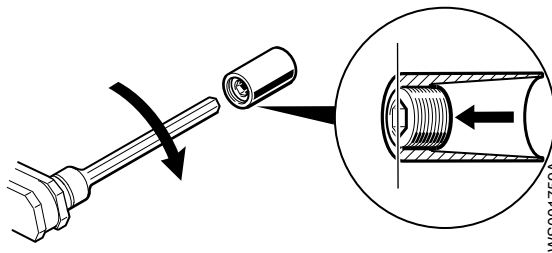
1. Prepare the shaft:
 - a) Polish off any flaws by using a fine emery cloth.
The end of the shaft must be clean and free from burrs.
 - b) Coat the inner conical, the outer cylindrical surfaces, and the thread of the conical sleeve with a thin layer of grease.
The correct lubrication is grease for bearings, for example Exxon Mobil Unirex N3, Mobil Mobilith SHC 220 or equivalent.

NOTICE:

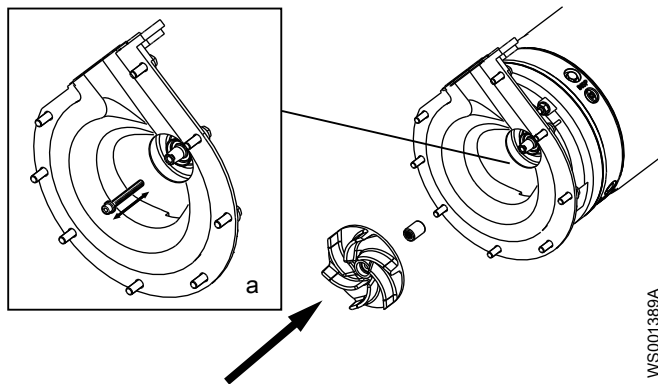
Surplus grease can cause the impeller to become loose. Remove surplus grease from conical and/or cylindrical surfaces of shafts and/or sleeves.



2. Align the edge of the adjustment screw with the edge of the conical sleeve so that they are flush.

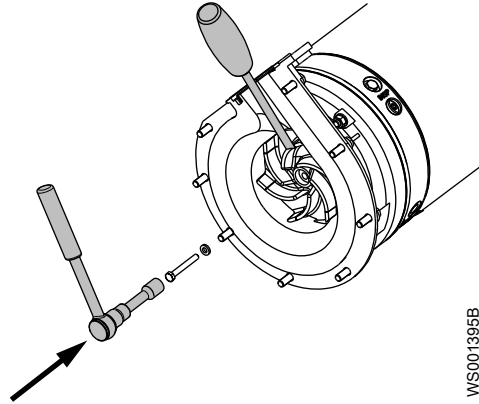


3. Grease the threads of the screw and the washer.
The proper lubrication of the screw and washer is lubricating grease for assembly of bolts etc., for example, Kluber ALTEMP Q NB 50 or equivalent.
4. Check that the impeller screw is clean and easy to screw into the shaft end.
This is to prevent the shaft from rotating with the impeller screw.
5. Assemble the conical sleeve in the impeller.
Make sure that the conical sleeve bottoms in the impeller.

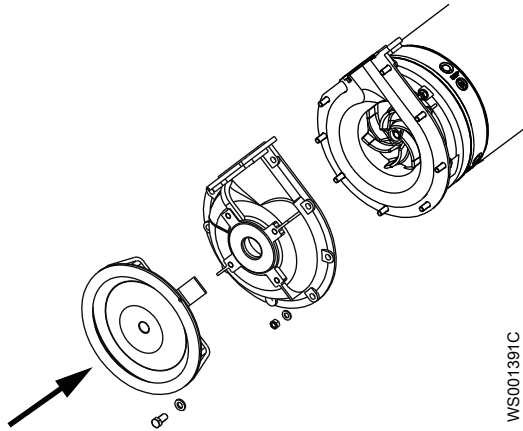


6. Assemble the impeller with the conical sleeve onto the shaft.
7. Fasten the impeller:
 - a) Put the washer on the impeller screw.
 - b) Lock the impeller to prevent rotation.
Use pliers, a screwdriver, or similar.

- c) Tighten the impeller screw.
Tightening torque: 22 Nm (16.2 lbf·ft)
- d) Tighten a further 1/8 turn, 45°.
The screw will be loaded to its yield point and the load capacity of the joint will be higher.
- e) Check that the impeller can rotate freely.



8. Mount the pump housing and the stand.



7 Troubleshooting

7.1 General precautions

Before starting work, make sure that the safety instructions have been read and understood.



DANGER: Inhalation Hazard

Before entering the work area, make sure that the atmosphere contains sufficient oxygen and no toxic gases.

7.2 Electrical troubleshooting



DANGER: Electrical Hazard

Troubleshooting a live control panel exposes personnel to hazardous voltages. Electrical troubleshooting must be done by a qualified electrician.

Follow these guidelines when troubleshooting:

- Disconnect and lock out the power supply except when conducting checks that require voltage.
- Make sure that no one is near the unit when the power supply is reconnected.
- When troubleshooting electrical equipment, use the following:
 - Universal instrument multimeter
 - Test lamp (continuity tester)
 - Wiring diagram

7.3 The pump does not start



DANGER: Crush Hazard

Moving parts can entangle or crush. Always disconnect and lock out power before servicing to prevent unexpected startup. Failure to do so could result in death or serious injury.



NOTICE:

Do NOT override the motor protection repeatedly if it has tripped. Doing so may result in equipment damage.

Cause	Remedy
An alarm signal has been triggered on the control panel.	Check that: <ul style="list-style-type: none"> • The impeller rotates freely. • The sensor indicators do not indicate an alarm. • The overload protection is not tripped.

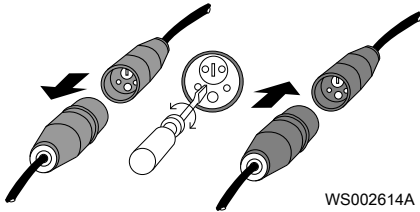
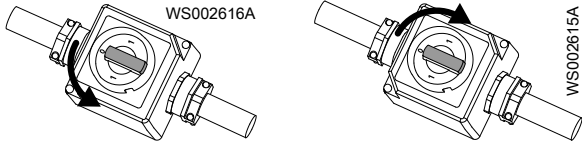
Cause	Remedy
The pump does not start automatically, but can be started manually.	Check that: <ul style="list-style-type: none"> • The start level regulator is functioning. Clean or replace if necessary. • All connections are intact. • The relay and contactor coils are intact. • The control switch (Man/Auto) makes contact in both positions. Check the control circuit and functions.
The installation is not receiving voltage.	Check that: <ul style="list-style-type: none"> • The main power switch is on. • There is control voltage to the start equipment. • The fuses are intact. • There is voltage in all phases of the supply line. • All fuses have power and that they are securely fastened to the fuse holders. • The overload protection is not tripped. • The motor cable is not damaged.
The impeller is stuck.	Clean: <ul style="list-style-type: none"> • The impeller • The sump in order to prevent the impeller from clogging again.

If the problem persists, then contact a sales or authorized service representative.

Always state the product number and the serial number of the pump, see [Product Description](#) on page 8.

7.3.1 Pumps with SMART™: The pump does not start

This section is for pumps with SMART™. These steps are in addition to the remedies in [The pump does not start](#) on page 31.

Cause	Remedy
The phase sequence may be incorrect.	<p>1. Pull out the plug.</p> <p>2. Do one of the following:</p> <ul style="list-style-type: none"> - Shift two phases by turning two contact pins with a screwdriver <hr/> <p>NOTICE: Do not take the plug apart.</p> <hr/>  <p>Figure 5: CEE plug</p> <ul style="list-style-type: none"> - Turn the knob to the opposite position 1, with 8 seconds delay. <hr/> <p>NOTICE: Do not reverse the phase sequence while the motor is running. Doing so may cause incorrect rotation resulting in damage to the motor electronics and the rotating parts. Respect the 8 seconds delay.</p> <hr/>  <p>Figure 6: Phase shifter on/off switch</p> <ul style="list-style-type: none"> - If no glove or phase shifter is used, then shift two phase conductors in the cabinet.

If the problem persists, then contact a sales or authorized service representative.

Always state the product number and the serial number of the pump, see [Product Description](#) on page 8.

7.4 The pump does not stop when a level sensor is used



DANGER: Crush Hazard

Moving parts can entangle or crush. Always disconnect and lock out power before servicing to prevent unexpected startup. Failure to do so could result in death or serious injury.



Cause	Remedy
The pump is unable to empty the sump to the stop level.	Check that: <ul style="list-style-type: none"> • There are no leaks from the piping and/or discharge connection. • The impeller is not clogged. • The non-return valve(s) are functioning properly. • The pump has adequate capacity. For information: Contact a sales or authorized service representative.
There is a malfunction in the level-sensing equipment.	<ul style="list-style-type: none"> • Clean the level regulators. • Check the functioning of the level regulators. • Check the contactor and the control circuit. • Replace all defective items.
The stop level is set too low.	Raise the stop level.

If the problem persists, then contact a sales or authorized service representative.

Always state the product number and the serial number of the pump, see [Product Description](#) on page 8.

7.5 The pump starts-stops-starts in rapid sequence

Cause	Remedy
The pump starts due to back-flow which fills the sump to the start level again.	Check that: <ul style="list-style-type: none"> • The distance between the start and stop levels is sufficient. • The non-return valve(s) work(s) properly. • The length of the discharge pipe between the pump and the first non-return valve is sufficiently short.
The self-holding function of the contactor malfunctions.	Check: <ul style="list-style-type: none"> • The contactor connections. • The voltage in the control circuit in relation to the rated voltages on the coil. • The functioning of the stop-level regulator. • Whether the voltage drop in the line at the starting surge causes the contactor's self-holding malfunction.

If the problem persists, then contact a sales or authorized service representative.

Always state the product number and the serial number of the pump, see [Product Description](#) on page 8.

7.6 The pump runs but the motor protection trips



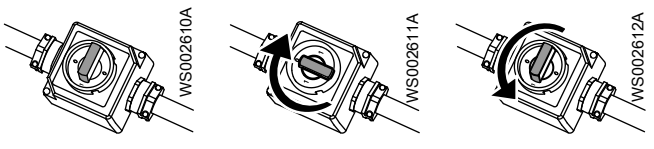

DANGER: Crush Hazard

Moving parts can entangle or crush. Always disconnect and lock out power before servicing to prevent unexpected startup. Failure to do so could result in death or serious injury.



NOTICE:

Do NOT override the motor protection repeatedly if it has tripped. Doing so may result in equipment damage.

Cause	Remedy
The motor protection is set too low.	Set the motor protection according to the data plate and if applicable the cable chart.
The impeller is difficult to rotate by hand.	<ul style="list-style-type: none"> • Clean the impeller. • Clean out the wet well. • Check that the impeller is correctly trimmed.
The drive unit cannot receive full voltage on all three phases.	<ul style="list-style-type: none"> • Check the fuses. Replace fuses that have tripped. • If the fuses are intact, then notify a certified electrician.
The phase currents change, or they are too high.	Contact a sales or authorized service representative.
The insulation between the phases and ground in the stator is defective.	<ol style="list-style-type: none"> 1. Use an insulation tester. Use a 1000 VDC insulation and continuity tester to check that the insulation between the phases, and between any phase and ground, is > 5 megohms. 2. If the insulation is less, then do the following: Contact a sales or authorized service representative.
The density of the pumped fluid is too high.	<p>Make sure that the maximum density is 1100 kg/m³ (9.2 lb/US gal)</p> <ul style="list-style-type: none"> • Change to a more applicable pump • Contact a sales or authorized service representative.
The ambient temperature is more than the maximum ambient temperature.	The pump must not be used for such an application.
The cooling system is clogged.	If the flow through the system has been partly restricted, then rinse and clean.
There is a malfunction in the overload protection.	Replace the overload protection.
The SMART™ motor protection may need to be reset.	<p>Try one of the following:</p> <ul style="list-style-type: none"> • Reset the SMART™ motor protection by pulling and reinserting the power plug. • Or, disconnect and reconnect the power. <div style="display: flex; align-items: center; justify-content: center;">  </div> <div style="display: flex; align-items: center; justify-content: center; margin-top: 10px;">  <div style="margin-left: 20px;"> <p>WARNING: Crush Hazard Risk of automatic restart.</p> </div> </div>

If the problem persists, then contact a sales or authorized service representative.

Always state the product number and the serial number of the pump, see [Product Description](#) on page 8.

7.7 The pump delivers too little or no water



DANGER: Crush Hazard

Moving parts can entangle or crush. Always disconnect and lock out power before servicing to prevent unexpected startup. Failure to do so could result in death or serious injury.



NOTICE:

Do NOT override the motor protection repeatedly if it has tripped. Doing so may result in equipment damage.

EN

Cause	Remedy
The impeller rotates in the wrong direction.	<ul style="list-style-type: none"> • If it is a 3-phase pump without SMART™, then transpose two phase leads. For pumps with softstarter, transpose the leads at T1, T2, T3 on the softstarter. • Pumps with SMART™ will not start if the phase sequence is not correct. • If it is a 1-phase pump, then do the following: Contact a sales or authorized service representative.
One or more of the valves are set in the wrong positions.	<ul style="list-style-type: none"> • Reset the valves that are set in the wrong position. • Replace the valves, if necessary. • Check that all valves are correctly installed according to media flow. • Check that all valves open correctly.
The impeller is difficult to rotate by hand.	<ul style="list-style-type: none"> • Clean the impeller. • Clean out the sump. • Check that the impeller is properly trimmed.
The pipes are obstructed.	To ensure a free flow, clean out the pipes.
The pipes and joints leak.	Find the leaks and seal them.
There are signs of wear on the impeller, pump, and casing.	Replace the worn parts.
The liquid level is too low.	<ul style="list-style-type: none"> • Check that the level sensor is set correctly. • Depending on the installation type, add a means for priming the pump, such as a foot valve.

If the problem persists, then contact a sales or authorized service representative.

Always state the product number and the serial number of the pump, see [Product Description](#) on page 8.

8 Technical Reference

8.1 Application limits

EN

Data	Description
Media (liquid) temperature	Maximum 40°C (104°F)
pH of the pumped media (liquid)	5–8
Media (liquid) density	1100 kg/m ³ (9.2 lb for each US gal) maximum
Depth of immersion	Maximum 20 m (65 ft)
Other	For the specific weight, current, voltage, power ratings, and speed of the pump, see the data plate of the pump. For other applications, contact a sales or authorized service representative for information.

8.2 Motor data

Feature	Description
Motor type	Squirrel-cage induction
Frequency	50 Hz or 60 Hz
Supply	3-phase
Starting method	Direct on-line
Maximum starts for each hour	30 evenly spaced starts for each hour
Code compliance	IEC 60034-1
Rated output variation	±10%
Voltage variation without overheating	±10%, if it does not run continuously at full load
Voltage imbalance tolerance	2%
Stator insulation class	H (180°C [356°F])

Motor encapsulation

Motor encapsulation is in accordance with IP68.

8.3 Specific motor data

3-phase, 50 Hz

Motor type:

- 1,410 rpm
- Rated output 3.2 kW (4.3 hp)
- Maximum power consumption 4.2 kW (5.6 hp)

Voltage, V	Configuration	Rated Current, A	Starting current, A	Power factor, cos ϕ
220	D	13	65	0.83
230	D	13	68	0.79
240	D	13	72	0.75
380	D	7.6	37	0.83

Voltage, V	Configuration	Rated Current, A	Starting current, A	Power factor, $\cos \phi$
380	Y	7.6	37	0.83
400	D	7.6	39	0.79
400	Y	7.6	40	0.79
415	D	7.2	37	0.80
440	D	7.4	39	0.75
500	D	6.0	31	0.80
500	Y	6.1	32	0.78
550	D	5.5	29	0.79
660	Y	4.4	21	0.83
690	Y	4.4	23	0.79
1000	Y	3.3	18	0.73

3-phase, 60 Hz

Motor type:

- 1,690 rpm
- Rated output 4.5 kW (6.0 hp)
- Maximum power consumption 5.7 kW (7.6 hp)

Voltage, V	Configuration	Rated current, A	Starting current, A	Power factor, $\cos \phi$
200	D	20	99	0.84
208	D	19	104	0.81
220	D	18	87	0.85
220	Y parallel	18	80	0.86
220	D parallel	18	81	0.86
230	D	17	91	0.82
230	Y parallel	17	85	0.84
230	D parallel	17	85	0.84
240	D	17	96	0.79
240	Y parallel	17	89	0.81
380	D	10	49	0.85
380	Y parallel	10	47	0.86
400	D	10	52	0.82
400	Y parallel	9.9	49	0.84
440	D	8.9	41	0.86
440	D serial	8.8	40	0.86
440	Y serial	8.8	41	0.86
460	D	8.6	43	0.84
460	D serial	8.6	43	0.84
460	Y serial	8.6	43	0.84
480	D	8.5	45	0.81
480	Y serial	8.5	45	0.81
575	D	6.9	34	0.84
575	Y	6.9	35	0.84
600	D	6.8	35	0.82
600	Y	6.8	36	0.81

8.4 Dimensions and weights: 8110

All measurements in the illustration are in millimeters, if not otherwise specified.

EN

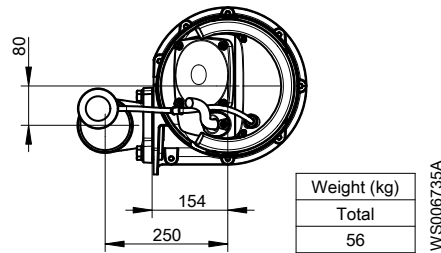
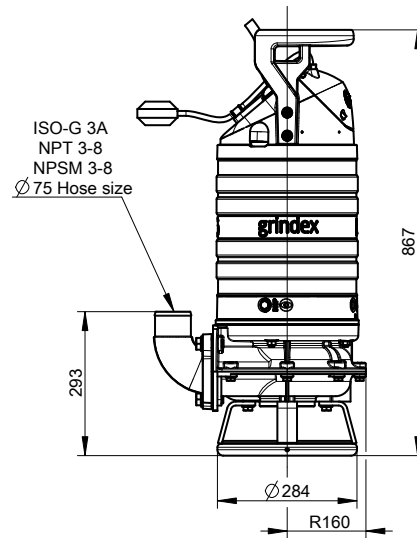
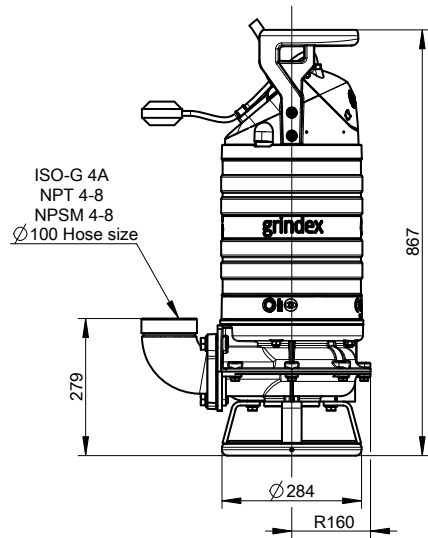


Figure 7: N, DN 100 mm

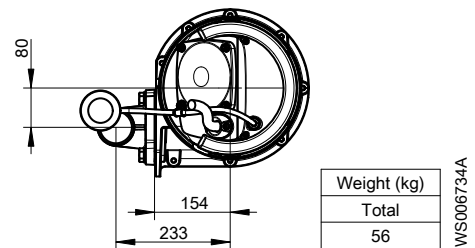


Figure 8: H, DN 75 mm

8.5 Performance curves

Test standard

Pumps are tested in accordance with ISO 9906:2012, HI 11.6:2012.

Senior

EN

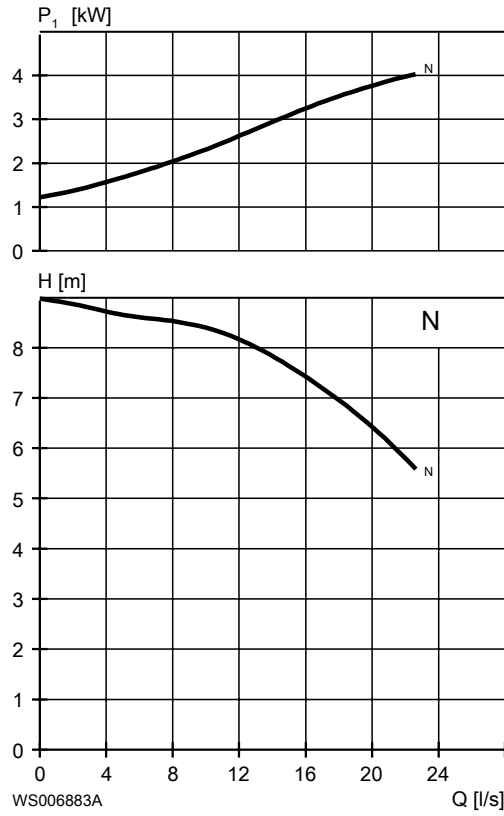


Figure 9: 50 Hz

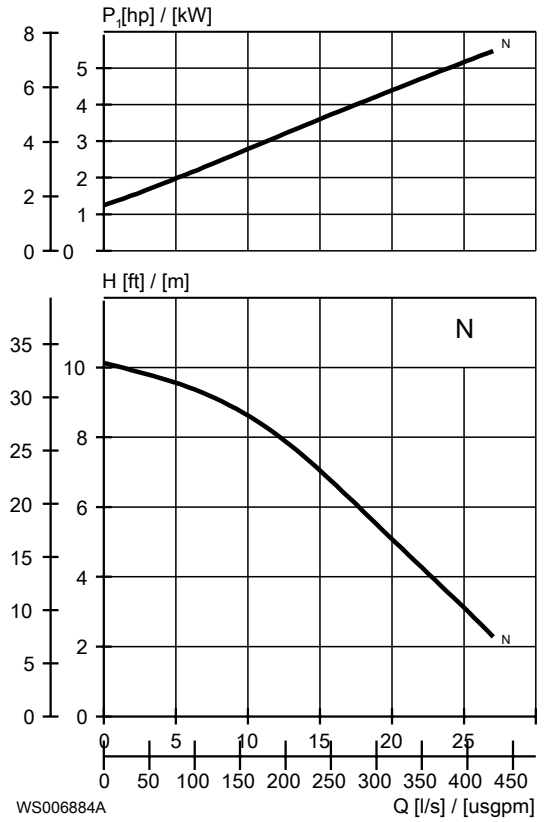


Figure 10: 60 Hz



Xylem Water Solutions Global
Services AB 556782-9253
361 80 Emmaboda
Sweden
Tel: +46-471-24 70 00
Fax: +46-471-24 74 01
[https://www.grindex.com/en-us/
document-archive/](https://www.grindex.com/en-us/document-archive/)

Visit our Web site for the latest version of this document and more information
The original instruction is in English. All non-English instructions are translations of the original instruction.
© 2019 Grindex
Grindex is a trademark of Xylem Inc. or one of its subsidiaries. All other trademarks or registered trademarks are property of their respective owners.

883984_5.0_en-US_2024-11_IOM_8110.281 Senior