

Installation, Operation, and Maintenance Manual

8116.390 Major Inox



Table of Contents

Introduction and Safety	3
Introduction.....	3
Safety terminology and symbols.....	3
Inspect the delivery.....	4
Inspect the package.....	4
Inspect the unit.....	4
Product warranty.....	4
Safety.....	5
User safety.....	6
Hazardous liquids.....	6
Wash the skin and eyes.....	6
Environmental safety.....	7
Transportation and Storage	8
Transportation guidelines.....	8
Precautions.....	8
Position and fastening.....	8
Lifting.....	8
Storage guidelines.....	8
Storage location.....	8
Freezing precautions.....	8
Long-term storage.....	9
Product Description	10
Products included.....	10
Pump design.....	10
Monitoring equipment.....	10
The data plate.....	10
Installation	12
Install the pump.....	12
Sedimentation prevention.....	12
Discharge line requirements.....	12
Fasteners.....	13
Install.....	13
Make the electrical connections.....	14
General precautions.....	14
Requirements.....	14
Cables.....	15
Earthing (Grounding).....	15
Earth (ground) conductor length.....	15
Product-specific precautions.....	15
Cable charts.....	17
Check the impeller rotation: Pumps without built-in motor protection	19
Check the phase sequence: Pumps with built-in motor protection.....	19
Operation	22
Precautions.....	22
Distance to wet areas.....	22
Noise level.....	22
Start the pump.....	22
Clean the pump.....	23

Maintenance	24
Precautions.....	24
Maintenance guidelines.....	24
Torque values.....	24
Service.....	25
Inspection.....	25
Major overhaul.....	27
Change the oil.....	27
Empty the oil.....	27
Fill with oil.....	27
Replace the impeller.....	28
Remove the impeller.....	28
Install the impeller.....	28
Troubleshooting	30
Introduction.....	30
The pump delivers too little or no water.....	30
The pump does not start, for pumps with SMART ROTASENSE™	31
The pump runs but the motor protection trips.....	31
The pump stops during operation.....	32
Technical Reference	33
Application limits.....	33
Motor data.....	33
Specific motor data.....	33
Dimensions and weights.....	34
Performance curves.....	35

Introduction and Safety

Introduction

Purpose of this manual

The purpose of this manual is to provide necessary information for:

- Installation
- Operation
- Maintenance



CAUTION:

Read this manual carefully before installing and using the product. Improper use of the product can cause personal injury and damage to property, and may void the warranty.

NOTICE:

Save this manual for future reference, and keep it readily available at the location of the unit.




Safety terminology and symbols

About safety messages

It is extremely important that you read, understand, and follow the safety messages and regulations carefully before handling the product. They are published to help prevent these hazards:

- Personal accidents and health problems
- Damage to the product
- Product malfunction

Hazard levels

Hazard level	Indication
 DANGER:	A hazardous situation which, if not avoided, will result in death or serious injury
 WARNING:	A hazardous situation which, if not avoided, could result in death or serious injury
 CAUTION:	A hazardous situation which, if not avoided, could result in minor or moderate injury

Hazard level	Indication
NOTICE: 	<ul style="list-style-type: none"> • A potential situation which, if not avoided, could result in undesirable conditions • A practice not related to personal injury

Hazard categories

Hazard categories can either fall under hazard levels or let specific symbols replace the ordinary hazard level symbols.

Electrical hazards are indicated by the following specific symbol:



Electrical Hazard:

These are examples of other categories that can occur. They fall under the ordinary hazard levels and may use complementing symbols:

- Crush hazard
- Cutting hazard
- Arc flash hazard

Inspect the delivery

Inspect the package

1. Inspect the package for damaged or missing items upon delivery.
2. Note any damaged or missing items on the receipt and freight bill.
3. File a claim with the shipping company if anything is out of order.
If the product has been picked up at a distributor, make a claim directly to the distributor.

Inspect the unit

1. Remove packing materials from the product.
Dispose of all packing materials in accordance with local regulations.
2. Inspect the product to determine if any parts have been damaged or are missing.
3. If applicable, unfasten the product by removing any screws, bolts, or straps.
For your personal safety, be careful when you handle nails and straps.
4. Contact your sales representative if anything is out of order.

Product warranty

Coverage

Grindex undertakes to remedy the following faults in products sold by Grindex under the following conditions:

- The faults are due to defects in design, materials or workmanship.
- The faults are reported to an Grindex representative within the warranty period.
- The product is used only under the conditions described in this manual.
- The monitoring equipment incorporated in the product is correctly connected and in use.

- All service and repair work is done by personnel authorized by Grindex.
- Genuine Grindex parts are used.

Limitations

The warranty does not cover faults caused by the following:

- Deficient maintenance
- Improper installation
- Modifications or changes to the product and installation carried out without consulting Grindex
- Incorrectly executed repair work
- Normal wear and tear

Grindex assumes no liability for the following:

- Bodily injuries
- Material damages
- Economic losses

Warranty claim

Grindex products are high-quality products with expected reliable operation and long life. However, should the need arise for a warranty claim, please contact your Grindex representative.

Spare parts

Grindex guarantees that spare parts will be available for 10 years after the manufacture of this product has been discontinued.

Safety



WARNING:

- The operator must be aware of safety precautions to prevent physical injury.
- Any pressure-containing device can explode, rupture, or discharge its contents if it is over-pressurized. Take all necessary measures to avoid over-pressurization.
- Operating, installing, or maintaining the unit in any way that is not covered in this manual could cause death, serious personal injury, or damage to the equipment. This includes any modification to the equipment or use of parts not provided by Grindex. If there is a question regarding the intended use of the equipment, please contact an Grindex representative before proceeding.
- Installation, Operation, and Maintenance manuals clearly identify accepted methods for disassembling units. These methods must be adhered to. Trapped liquid can rapidly expand and result in a violent explosion and injury. Never apply heat to impellers, propellers, or their retaining devices to aid in their removal.



CAUTION:

You must observe the instructions for installation, operation, and maintenance contained in this manual. Failure to do so could result in physical injury, damage, or delays.

User safety

General safety rules

These safety rules apply:

- Always keep the work area clean.
- Pay attention to the risks presented by gas and vapors in the work area.
- Avoid all electrical dangers. Pay attention to the risks of electric shock or arc flash hazards.
- Always bear in mind the risk of drowning, electrical accidents, and burn injuries.

Safety equipment

Use safety equipment according to the company regulations. Use this safety equipment within the work area:

- Helmet
- Safety goggles, preferably with side shields
- Protective shoes
- Protective gloves
- Gas mask
- Hearing protection
- First-aid kit
- Safety devices

NOTICE:

Never operate a unit unless safety devices are installed. Also see specific information about safety devices in other chapters of this manual.

Electrical connections

Electrical connections must be made by certified electricians in compliance with all international, national, state, and local regulations. For more information about requirements, see sections dealing specifically with electrical connections.

Hazardous liquids

The product is designed for use in liquids that can be hazardous to your health. Observe these rules when you work with the product:

- Make sure that all personnel who work with biologically hazardous liquids are vaccinated against diseases to which they may be exposed.
- Observe strict personal cleanliness.

Wash the skin and eyes

Do the following if chemicals or hazardous fluids have come into contact with your eyes or your skin:

If you need to wash your...	Then...
Eyes	<ol style="list-style-type: none">1. Hold your eyelids apart forcibly with your fingers.2. Rinse the eyes with eyewash or running water for at least 15 minutes.3. Seek medical attention.

If you need to wash your...	Then...
Skin	<ol style="list-style-type: none"> 1. Remove contaminated clothing. 2. Wash the skin with soap and water for at least one minute. 3. Seek medical attention, if required.

Environmental safety

The work area

Always keep the station clean to avoid and/or discover emissions.

Recycling guidelines

Always recycle according to the guidelines listed below:

1. Follow local laws and regulations regarding recycling if the unit or parts are accepted by an authorized recycling company.
2. If the first guideline is not applicable, then return the unit or parts to the nearest Grindex representative.

Waste and emissions regulations

Observe these safety regulations regarding waste and emissions:

- Dispose appropriately of all waste.
- Handle and dispose of the processed liquid in compliance with applicable environmental regulations.
- Clean up all spills in accordance with safety and environmental procedures.
- Report all environmental emissions to the appropriate authorities.

Electrical installation

For electrical installation recycling requirements, consult your local electric utility.

Transportation and Storage

Transportation guidelines

Precautions



WARNING:

- Stay clear of suspended loads.
 - Observe accident prevention regulations in force.
-

Position and fastening

The pump can be transported and stored either horizontally or vertically. Make sure that the product cannot roll or fall over.

Lifting



WARNING:

- Crush hazard. The unit and the components can be heavy. Use proper lifting methods and wear steel-toed shoes at all times.
 - Lift and handle the product carefully, using suitable lifting equipment.
 - The product must be securely harnessed for lifting and handling. Use eyebolts or lifting lugs if available.
 - Always lift the unit by its lifting handle. Never lift the unit by the motor cable or by the hose.
 - Do not attach sling ropes to shaft ends.
-

Storage guidelines

Storage location

The product must be stored in a covered and dry location free from heat, dirt, and vibrations.

NOTICE:

- Protect the product against humidity, heat sources, and mechanical damage.
 - Do not place heavy weights on the packed product.
-

Freezing precautions

The pump is frost-proof while operating or immersed in liquid, but the impeller/propeller and the shaft seal may freeze if the pump is lifted out of the liquid into a surrounding temperature below freezing.

Follow these guidelines to avoid freezing damage:

When	Guideline
Before storage	<ul style="list-style-type: none"> • The pump must be allowed to run for a short time after raising it to discharge remaining pumped liquid. • The discharge opening must be covered in a suitable way, or placed facing down so that any still remaining pumped liquid runs out. • If present, the cooling jacket must be drained manually by opening the air vent screws at the top of the cooling jacket.
After storage	<p>If the impeller/propeller is frozen, it must be thawed by immersing the pump in liquid before operating the pump.</p> <p>NOTICE: Never use a naked flame to thaw the unit.</p>

Long-term storage

If the pump is stored more than 6 months, the following apply:

- Before operating the pump after storage, it must be inspected with special attention to the seals and the cable entry.
- The impeller/propeller must be rotated every other month to prevent the seals from sticking together.

Product Description

Products included

Pump model	Approvals
Major INOX, 8116.390	Standard

Pump design

The pump is submersible, and driven by an electric motor.

Intended use



WARNING:

In explosive or flammable environments, only use Ex- or MSHA-approved pumps.

For information about pH, see [Application limits](#) (page 33).

Particle size

The pump can handle liquid containing particles that correspond to the holes in the strainer.

Number of holes	Hole dimensions
520	Diameter 8.5 mm (0.33 in.)

Pressure class

N	Medium head
H	High head

Impeller type

Wear resistant

Monitoring equipment

The following applies to the monitoring equipment of the pump:

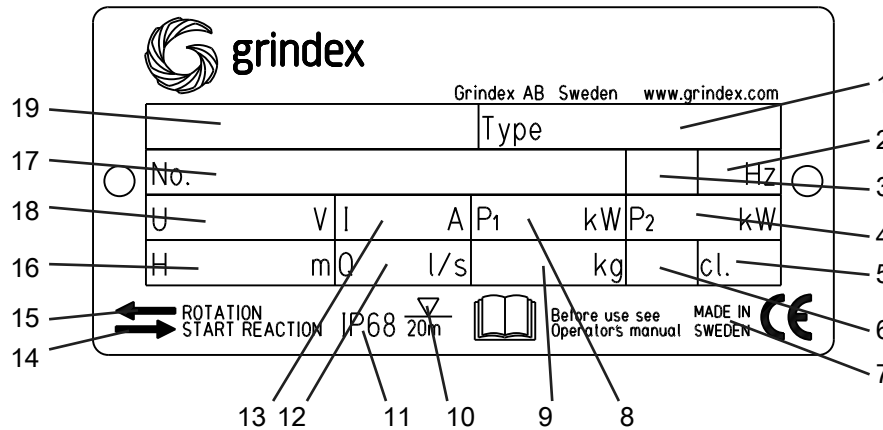
- The stator incorporates thermal contacts connected in series that activate the alarm at overtemperature.
- The thermal contacts open at 130°C (266°F) and close at 100°C (212°F)

The data plate

Introduction

The data plate is a metal label located on the main body of the pump. The data plate lists key product specifications.

The data plate



1. Pump type number
2. Frequency
3. Phases, type of current
4. Rated shaft power
5. Thermal class
6. Locked rotor code-letter
7. Country of origin
8. Maximum power consumption
9. Product weight
10. Maximum submersion depth
11. Degree of protection
12. Maximum capacity
13. Rated current
14. Direction of the start reaction
15. Direction of the impeller rotation
16. Maximum head
17. Serial number
18. Rated voltage
19. Pump model

Warning data plate

Pumps without built-in motor protection have an additional data plate.



Installation

Install the pump



WARNING:

- Before installing the pump, check that the cable and cable entry have not been damaged during transportation.
- Make sure that the pump cannot roll or fall over and injure people or damage property.

NOTICE:

- Never force piping to make a connection with a pump.

These requirements apply:

- Use the pump dimensional drawing in order to ensure proper installation.
- Provide a suitable barrier around the work area, for example, a guard rail.
- Check the explosion risk before you weld or use electric hand tools.
- Remove all debris from the inlet piping system before you install the pump.

Sedimentation prevention

In order to avoid sedimentation when the pumped liquid contains solid particles, the velocity of the liquid in the discharge line must exceed a certain value. Choose applicable minimum velocity from the table, and choose proper dimension of the discharge line accordingly.

Mixture	Minimum velocity, meter per second (feet per second)
Water + coarse gravel	4 (13)
Water + gravel	3.5 (11)
Water + sand, particle size <0.6 mm (0.024 in.)	2.5 (8.2)
Water + sand, particle size <0.1 mm (0.004 in.)	1.5 (4.9)

For more permanent installations with a heavily contaminated pumped liquid, a settling pump-sump is recommended.

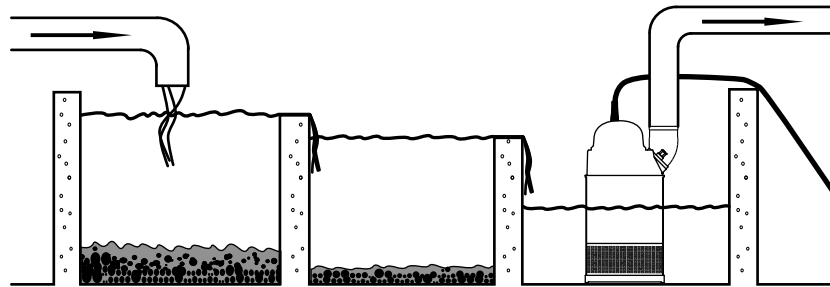
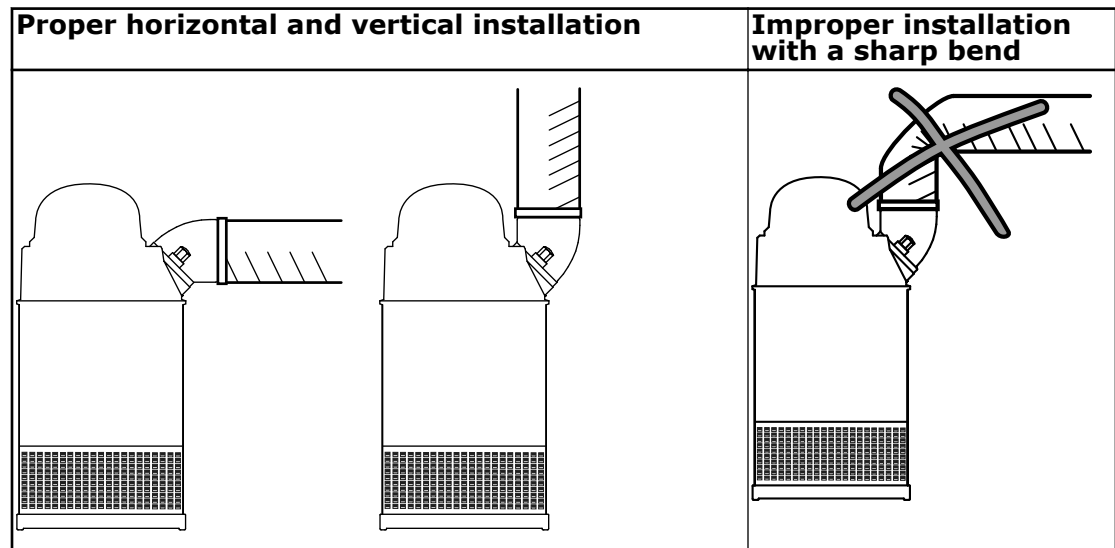


Figure 1: Settling pump-sump

Discharge line requirements

The discharge line can be run vertically or horizontally, but must be without sharp bends.



Fasteners



WARNING:

- Only use fasteners of the proper size and material.
- Replace all corroded fasteners.
- Make sure that all fasteners are properly tightened and that there are no missing fasteners.

Install

The pump is transportable and intended to operate either completely or partially submerged in the pumped liquid. The pump is equipped with a connection for hose or pipe.

These requirements and instructions only apply when the installation is made according to the dimensional drawing.

1. Run the cable so that it has no sharp bends, is not pinched, and cannot be sucked into the pump inlet.
2. Connect the discharge line.

The discharge line can be run vertically or horizontally, but must be without sharp bends.

3. Lower the pump into the sump.

The cable must not be used for this purpose. You should attach a rope or similar to the handle or the eyebolts for lowering and lifting the pump.

Heavier pumps must be lifted and lowered down by crane. Suspend the pump by the lifting handle or the eyebolts with chains or wires.

4. Place the pump on the base and make sure it cannot fall over or sink.

The base should consist of a plank, a bed of coarse gravel, or a cut-down and perforated oil drum.

Alternatively, the pump can be suspended with a lifting chain just above the sump bottom. Make sure that the pump cannot rotate at startup or during operation.

5. Connect the motor cable and the starter and monitoring equipment according to the separate instructions.

Make sure that the phase sequence is correct. For more information, see [Check the phase sequence: Pumps with built-in motor protection](#) (page 19).

Make the electrical connections

General precautions

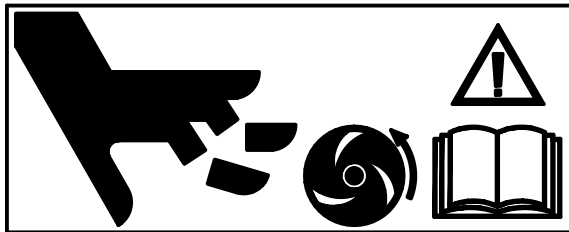


Electrical Hazard:

- A certified electrician must supervise all electrical work. Comply with all local codes and regulations.
 - Before starting work on the pump, make sure that the pump and the control panel are isolated from the power supply and cannot be energized. This applies to the control circuit as well.
 - Leakage into the electrical parts can cause damaged equipment or a blown fuse. Keep the end of the motor cable above the liquid level.
 - Make sure that all unused conductors are insulated.
 - There is a risk of electrical shock or explosion if the electrical connections are not correctly carried out or if there is fault or damage on the product.
-

**CAUTION:**

If the pump is equipped with automatic level control and/or internal contactor, there is a risk of sudden restart.



Requirements

These general requirements apply for electrical installation:

- The supply authority must be notified before installing the pump if it will be connected to the public mains. When the pump is connected to the public power supply, it may cause flickering of incandescent lamps when started.
- The mains voltage and frequency must agree with the specifications on the data plate. If the pump can be connected to different voltages, the connected voltage is specified by a yellow sticker close to the cable entry.
- The fuses, short-circuit, and circuit breakers must have the proper rating, and the pump overload protection (motor protection breaker) must be connected and set to the rated current according to the data plate and if applicable the cable chart. The starting current in direct-on-line starting can be up to six times higher than the rated current.
- The fuse rating and the cables must be in accordance with the local rules and regulations.
- If intermittent operation is prescribed, the pump must be provided with monitoring equipment supporting such operation.
- The thermal contacts must be in use.

Cables

These are the requirements to follow when you install cables:

- The cables must be in good condition, not have any sharp bends, and not be pinched.
- The sheathing must not be damaged and must not have indentations or be embossed (with markings, etc.) at the cable entry.
- The cable entry seal sleeve and washers must conform to the outside diameter of the cable.
- The minimum bending radius must not be below the accepted value.
- If using a cable which has been used before, a short piece must be peeled off when refitting it so that the cable entry seal sleeve does not close around the cable at the same point again. If the outer sheath of the cable is damaged, then replace the cable. Contact a Grindex service shop.
- The voltage drop in long cables must be taken into account. The drive unit's rated voltage is the voltage measured at the terminal board in the upper part of the pump.

Earthing (Grounding)



Electrical Hazard:

- You must earth (ground) all electrical equipment. This applies to the pump equipment, the driver, and any monitoring equipment. Test the earth (ground) lead to verify that it is connected correctly.
- If the motor cable is jerked loose by mistake, the earth (ground) conductor should be the last conductor to come loose from its terminal. Make sure that the earth (ground) conductor is longer than the phase conductors. This applies to both ends of the motor cable.
- Risk of electrical shock or burn. You must connect an additional earth-(ground-) fault protection device to the earthed (grounded) connectors if persons are likely to come into physical contact with the pump or pumped liquids.

Earth (ground) conductor length

The earth (ground) conductor must be 150 mm (6.0 in.) longer than the phase conductors in the junction box of the unit.

Product-specific precautions

Short-circuit protection

The short-circuit protection should be in accordance with the rated data shown on the data plate. Use time-delay fuses rated $1.5 \times$ the rated current for the actual pump.

Pumps without built-in motor protection

Pumps without built-in motor protection have an additional data plate.

The following requirements apply:

- The thermal overload circuit breaker/relay must conform to the rated current and motor power input of the actual pump. The overload relay should be set as follows:

Start option	Overload relay setting
DOL start	1.1 × the rated current (line current)
Y/D start	0.58 × the rated current (phase current)

- The pump must be equipped with an external motor starter with a protection system. Use any of the following alternatives:
 - On/off switch, thermal overload magnetic circuit breaker/relay, and integrated thermal monitoring system (for connection of motor thermal contacts circuit T1/T2)
 - On/off switch and thermal overload circuit breaker/relay

Connection of the pump to a local power source

The following recommendations apply:

- Make sure that the local power source can start and run the actual pump. The following maximum power kVA values for the generator are recommended:

Table 1: DOL start

Number of pumps driven by the same generator	Recommended maximum power kVA values for the generator, as a multiple × the maximum power consumption for one pump
1	3
2	4.5

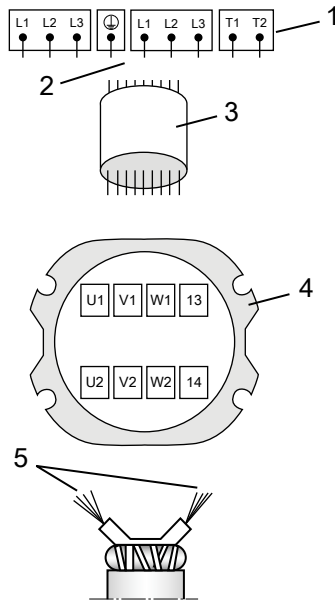
Table 2: Y/D start

Number of pumps driven by the same generator	Recommended maximum power kVA values for the generator, as a multiple × the maximum power consumption for one pump
1	2.3
2	3.4

- Consult the generator manufacturer about the generator capabilities.
- Do not use the Generator set Auto idle function.

Cable charts

Connection locations



1. Control leads
2. Starter equipment and main leads
3. Motor cable
4. Terminal board on the pump
5. Stator leads

Colors and marking of the mains leads

Mains	SUBCAB 7GX	SUBCAB 4GX	SUBCAB AWG	SUBCAB Screened
L1	Black 1	Brown	Red	Brown
L2	Black 2	Black	Black	Black
L3	Black 3	Grey	White	Grey
L1	Black 4	-	-	-
L2	Black 5	-	-	-
L3	Black 6	-	-	-
	Yellow / Green	Yellow / Green	Yellow / Green	Screen from leads
Groundcheck (GC)	-	-	Yellow	-

Colors and marking of the control leads

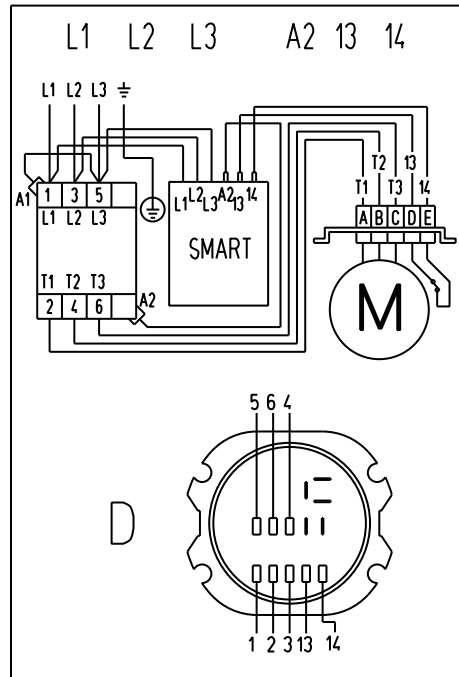
Mains	SUBCAB 7GX and SUBCAB 4GX	SUBCAB AWG	SUBCAB Screened
T1	White T1	Orange	White T1
T2	White T2	Blue	White T2
T3	-	-	White T3
T4	-	-	White T4

Colors of the stator leads

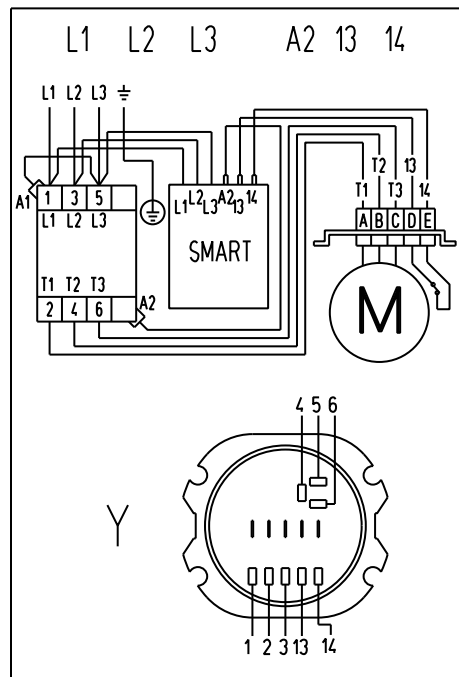
Stator connection	Lead color
U1	Red (1)
U2	Grey (4)
V1	Brown (2)
V2	Blue (5)
W1	White (3)

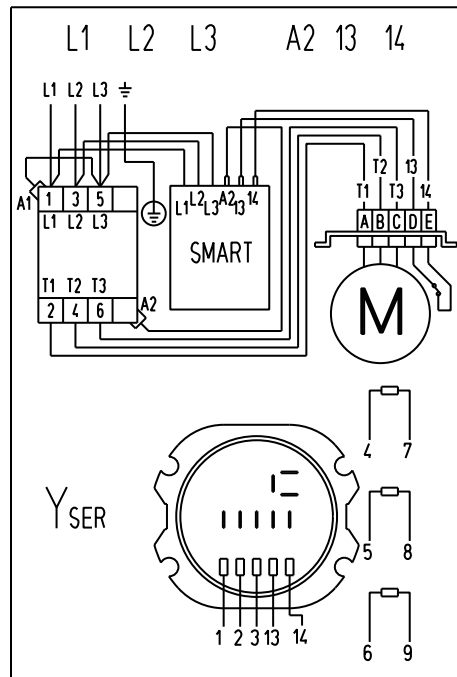
Stator connection	Lead color
W2	Black (6)

SUBCAB, 50/60 Hz, 3-phase, 6 stator leads, D connection (terminal board)



SUBCAB, 50/60 Hz, 3-phase, 6 stator leads, Y connection (terminal board)



SUBCAB, 60 Hz, 3-phase, 9 stator leads, Y series connection (terminal board)**Check the impeller rotation: Pumps without built-in motor protection**

Follow this procedure if your product does not have the rotation control SMART ROTASENSE™.

**WARNING:**

The starting jerk can be powerful.

Check the direction of rotation each time the cable has been re-connected and after phase or total supply failure.

1. Start the motor.
2. Stop the motor.
3. Check that the impeller rotates in the correct direction.

Figure 2: Start reaction

4. If the impeller rotates in the wrong direction, then do the following:
 - If the motor has a 3-phase connection, then transpose two phase conductors and repeat this procedure from step 1.

Check the phase sequence: Pumps with built-in motor protection

Follow this procedure if your product is equipped with the rotation control SMART ROTASENSE™.

**WARNING:**

The starting jerk can be powerful.

The correct direction of impeller rotation is clockwise when you look at the pump from above. When started, the pump will react in the opposite direction to the impeller rotation.

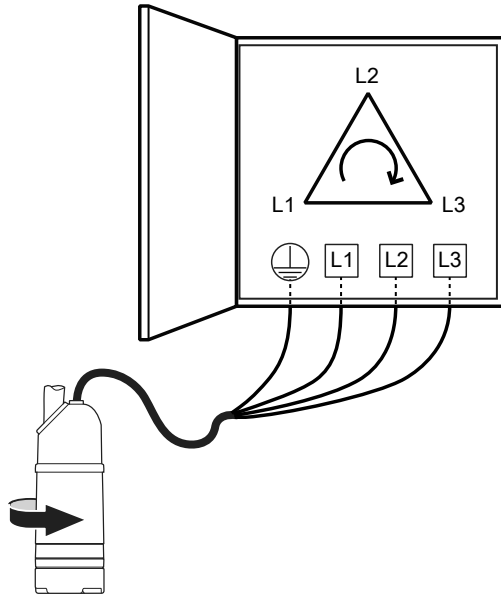
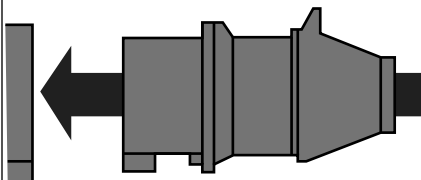
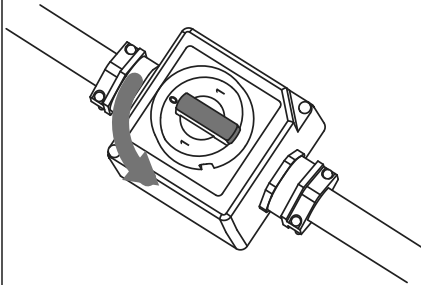


Figure 3: Start reaction

This pump is equipped with rotation control SMART™.

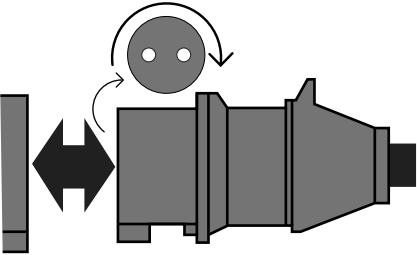
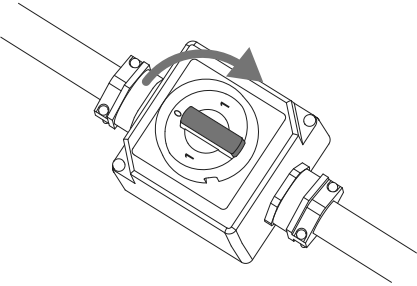
1. Connect the pump to power as follows:

Condition	Action
The pump has a CEE plug with internal phase shifter.	Connect the plug. 
The pump has a phase shifter with an on/off switch.	Turn the knob on the phase shifter in either direction. 
The pump has neither a CEE plug with internal phase shifter, nor a phase shifter with an on/off switch.	1. Connect the pump to power. 2. Switch on the power.

The pump should start. If it does not, then continue to the next step.

2. If the pump does not start and the fuses are correct, then shift two phases:

Condition	Action
The pump has a CEE plug with internal phase shifter.	1. Pull out the plug. 2. Shift two phases.

Condition	Action
	3. Wait until the motor has stopped. 4. Connect the plug. 
The pump has a phase shifter with an on/off switch.	1. Turn the knob on the phase shifter to neutral position. 2. Wait until the motor has stopped. 3. Turn the knob to the opposite position from before. 
The pump has neither a CEE plug with internal phase shifter, nor a phase shifter with an on/off switch.	Transpose two phase leads on the output terminal of the starter.

NOTICE:

Do not reverse the phase sequence while the pump is running. Temporarily incorrect rotation can occur, resulting in damage to motor electronics and rotating parts.

The pump should start. If it does not, then contact a certified electrician to check the mains and the junctions.

Operation

Precautions

- Never operate the pump without safety devices installed.
- Never operate the pump with the discharge valve closed.
- Make sure that all safety guards are in place and secure.
- Make sure you have a clear path of retreat.
- Never work alone.
- Beware of the risk of a sudden start if the product is used with an automatic level control and/or internal contactor.

Distance to wet areas



Electrical Hazard:

Risk of electrical shock when pumping or mixing near a lake, jetties, beaches, ponds, fountains, or similar. There must be a safety distance of at least 20 m (65 ft.) between the person and the product if the person is in contact with the pumped or mixed liquid.



Electrical Hazard:

Risk of electrical shock. This pump has not been investigated for use in swimming pools. If used in connection with swimming pools special safety regulations apply.

Noise level

NOTICE:

The noise level of the product is lower than 70 dB. However, the noise level of 70 dB may be exceeded in some installations and at certain operating points on the performance curve. Make sure that you understand the noise level requirements in the environment where the pump is installed. Failure to do so may result in hearing loss or violation of local laws.

Start the pump



WARNING:

- If you need to work on the pump, make sure that it is isolated from the power supply and cannot be energized.
 - Make sure that the pump cannot roll or fall over and injure people or damage property.
 - In some installations, the pump and the surrounding liquid may be hot. Bear in mind the risk of burn injuries.
 - Make sure nobody is close to the pump when it is started. The pump will jerk in the opposite direction of the impeller rotation.
-
-

NOTICE:

Make sure that the rotation of the impeller is correct. For more information, see Check the impeller rotation.

1. Check the oil level in the oil housing.
2. Remove the fuses or open the circuit breaker, and check that the impeller can be rotated freely.
3. Check that the monitoring equipment (if any) works.
4. Check that the impeller rotation is correct.
5. Start the pump.

Clean the pump

The pump must be cleaned if it has been running in very dirty water. If clay, cement or other similar dirt is left in the pump it may clog the impeller and seal, preventing the pump from working.

Let the pump run for a while in clean water, or flush it through the discharge connection.

Maintenance

Precautions



WARNING:

- Always follow safety guidelines when working on the pump. See [Introduction and Safety](#) (page 3).
- Disconnect and lock out electrical power before installing or servicing the pump.
- Make sure that the pump cannot roll or fall over and injure people or damage property.
- Rinse the pump thoroughly with clean water before working on the pump.
- Rinse the components in water after dismantling.

Make sure that you follow these requirements:

- Check the explosion risk before you weld or use electrical hand tools.
- Allow all system and pump components to cool before you handle them.
- Make sure that the product and its components have been thoroughly cleaned.
- Do not open any vent or drain valves or remove any plugs while the system is pressurized. Make sure that the pump is isolated from the system and that pressure is relieved before you disassemble the pump, remove plugs, or disconnect piping.

Maintenance guidelines

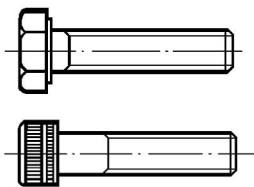
During maintenance and before reassembly, always remember to perform these tasks:

- Clean all parts thoroughly, particularly O-ring grooves.
- Change all O-rings, gaskets, and seal washers.
- Lubricate all springs, screws, and O-rings with grease.

During reassembly, always make sure that existing index markings are in line.

Torque values

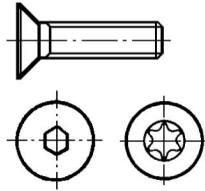
Screw and nuts



Stainless steel, A2 and A4											
	Property class	M4	M5	M6	M8	M10	M12	M16	M20	M24	M30
Torque, Nm (ft-lbs)	70 +80 ¹	2.7 (2)	5.4 (4)	9.3 (6.9)	22 (16)	44 (32)	76 (56)	187 (138)	364 (268)	629 (464)	1240 (915)

Carbon steel and alloyed steel											
Torque, Nm (ft- lbs)	8.8	2.9 (2.1)	5.7 (4.2)	9.8 (7.2)	24 (18)	47 (35)	81(60)	194 (143)	385 (285)	665 (490)	1310 (966)
	10.9	4.0 (2.9)	8.1 (6)	14 (10.3)	33 (24.3)	65 (48)	114 (84)	277 (204)	541 (399)	935 (689)	1840 (1357)
	12.9	4.9 (3.6)	9.7 (7.2)	17 (12.5)	40 (30)	79 (58)	136 (100)	333 (245)	649 (480)	1120 (825)	2210 (1630)

Screws with countersunk heads



Stainless steel, A2 and A4										
	Property class	M4	M5	M6	M8	M10	M12	M16	M20	M24
Torque, Nm (ft- lbs)	70 +80 ¹	1.2 (0.9)	2.7 (2)	5.4 (4)	9.3 (6.9)	22 (16)	44 (32)	76 (56)	120 (88)	187 (138)
Carbon steel and alloyed steel										
Torque, Nm (ft- lbs)	8.8	2.3 (1.7)	4.6 (3.4)	7.8 (5.8)	19 (14)	38 (28)	65 (48)	158 (116)	308 (228)	532 (392)
	10.9	3.2 (2.4)	6.5 (4.8)	11(8)	26 (19)	52 (38)	91 (67)	222 (164)	433 (320)	748 (552)
	12.9	3.9 (2.9)	7.8 (5.8)	14 (10.3)	32 (23.6)	63 (46)	109 (80)	266 (196)	519 (383)	896 (661)

Service

Regular inspection and service of the pump ensures more reliable operation.

Type of service	Purpose	Inspection interval
Inspection	To prevent operational interruptions and machine breakdown. Measures to secure performance and pump efficiency are defined and decided for each individual application. It can include such things as impeller trimming, wear part control and replacement, control of zinc-anodes and control of the stator.	Twice a year
Major overhaul	To secure a long operating lifetime for the product. It includes replacement of key components and the measures taken during an inspection.	Every year, under normal operating conditions

NOTICE:

Shorter intervals might be required for tough operating conditions such as very abrasive and corrosive applications and media (liquid) temperatures >40°C.

Inspection

Regular inspection and service of the pump ensures more reliable operation.

¹ Property class 70 is torque tightened as class 80.

Service item	Action
Visible parts on the pump and installation	<ol style="list-style-type: none"> 1. Check that all screws, bolts, and nuts are properly tightened. 2. Check the condition of lifting handles, eyebolts, ropes, chains, and wires. 3. Check for worn or damaged parts. 4. Adjust and/or replace if necessary.
Pipes, valves, and other peripheral equipment	<ol style="list-style-type: none"> 1. Check for worn or damaged parts. 2. Adjust and/or replace if necessary.
Pump casing and impeller	<ol style="list-style-type: none"> 1. Check for worn or damaged parts. 2. Adjust and/or replace if necessary. <p>Wear on the impeller or surrounding parts necessitates fine adjustments of the impeller or replacement of worn parts. See Replace the impeller (page 28).</p>
Oil	<p>Check the water and oil mixture as follows:</p> <ol style="list-style-type: none"> 1. Insert a tube or hose into the oil hole. 2. Cover the top end of the tube. 3. Take up a little oil from the bottom. (Air/oil mixture can be confused with water/oil mixture.) 4. If the mixture contains too much water, in other words if it is heavily emulsified (creamlike) or if the water has settled out, then change the oil. See Change the oil (page 27). Check again one week after changing the oil.
Cable entry	<ol style="list-style-type: none"> 1. Check that the following requirements are met: <ul style="list-style-type: none"> • The cable clamps must be properly tightened. • The cable entry must be firmly tightened into its bottom-most position. • The seal sleeve and the washers must conform to the outside diameter of the cables. 2. Cut off a piece of the cable so that the seal sleeve closes around a new position on the cable. 3. Replace the seal sleeve, if necessary.
Inspection chamber ²	<ol style="list-style-type: none"> 1. Drain all liquid. 2. If there is water in the stator casing, then do the following: <ol style="list-style-type: none"> a. Check that the inspection screw is properly tightened. b. Check that the O-ring is not damaged. c. Check that the cable entry does not have any leakage. 3. If there is oil in the inspection chamber, then check that the inner mechanical seal is not damaged. If necessary, contact an authorized service shop.
Cable	<ol style="list-style-type: none"> 1. If the outer jacket is damaged, replace the cable. 2. Check that the cables do not have any sharp bends and are not pinched.
Cooling system	Rinse and clean if the flow through the system has been partly restricted.

² Regardless of individual applications, the inspection chamber should not be inspected less frequently than the intervals for normal applications and operating conditions at media (liquid) temperatures <40°C.

Service item	Action
Level sensors or other sensor equipment	<ol style="list-style-type: none"> 1. Check the functionality. 2. Repair or replace any damaged equipment. 3. Clean and adjust the equipment.
Starter equipment	<ol style="list-style-type: none"> 1. Check the condition and functionality. 2. Contact an electrician, if necessary.
Insulation resistance in the stator	<ol style="list-style-type: none"> 1. Check the insulation between: <ul style="list-style-type: none"> • Phase-phase on the stator • Phase-earth (ground) The insulation should be > 1 megohm. Use a 1000 VDC megger to test the insulation. 2. If the resulting value is < 1 megohm, then contact an authorized service shop.

Major overhaul

For a major overhaul, take this action, in addition to the tasks listed under Inspection.

Service item	Action
Support and main bearing	Replace the bearings with new bearings.
Mechanical seal	Replace with new seal units.

Change the oil

A paraffin oil with viscosity close to ISO VG32 is recommended. The pump is delivered from the factory with this type of oil. In applications where poisonous properties are of less concern, a mineral oil with viscosity up to ISO VG32 can be used.

Empty the oil

1. Remove the strainer parts:
 - a) Unscrew the nuts that retain the strainer bottom and protective rubber sleeves from the studs.
 - b) Pull off the outer casing.
 - c) Remove the O-ring that seals between the cover and outer casing.
2. Lay the pump on its side.
Lock the pump with supports to prevent it from rolling over.
3. Remove the oil screw.
There are two oil screws. Either can be used for drainage, but it is easier to drain the oil if both oil screws are removed.



WARNING:

The oil housing may be pressurized. Hold a rag over the oil plug to prevent oil from spraying out.

4. Turn the pump so that the oil hole faces downwards and let the oil run out.

Fill with oil

1. Replace the oil screw O-ring.
2. Put one of the oil screws back and tighten it.
3. Turn the pump so that the oil hole faces upwards and fill with new oil.

Quantity: 0.58 L (0.61 qt.)

4. Put the oil screw back and tighten it.

Replace the impeller

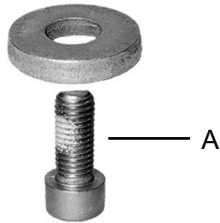
Remove the impeller



WARNING:

A worn impeller and/or pump housing can have very sharp edges. Wear protective gloves.

1. Unscrew the nuts that retain the diffuser.
The screw (A) is of the self-locking type and may therefore not be reused.

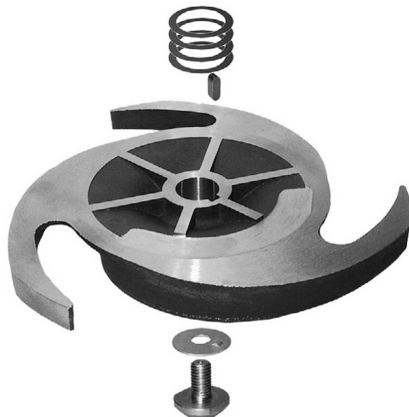


2. Pull off the diffuser and remove the rubber blocks.



Install the impeller

1. Fit a suitable number of adjusting washers onto the shaft so that a clearance of 0.1 mm (0.004 in.) is obtained between the impeller and the oil housing bottom when the impeller has been tightened.



2. Fit the rubber sleeves onto their respective studs.
3. Fit the lower diffuser, spacer tubes, and the nuts.
4. Install the diffuser:
 - a) Tighten the nuts in opposing pairs until the impeller just runs clear of the diffuser.
Use a feeler gauge to determine when a clearance of 0.1 mm (0.004 in.) is obtained between the impeller and the diffuser.



- b) Secure the nuts against one another.
 - c) Check that the impeller can rotate easily.
5. Grease the outside of the diffuser.
6. Fit the O-ring that seals between the main cover and the outer casing.
7. Fit the outer casing and the strainer bottom.

Troubleshooting

Introduction

Follow these guidelines when troubleshooting the pump:

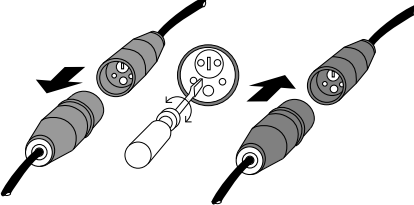
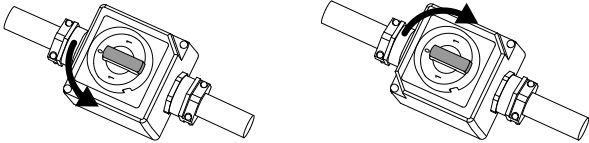
- Disconnect and lock out the power supply except when conducting checks that require voltage.
- Make sure that no one is near the pump when the power supply is reconnected.
- When troubleshooting electrical equipment, use the following:
 - Universal instrument multimeter
 - Test lamp (continuity tester)
 - Wiring diagram

The pump delivers too little or no water

Cause	Remedy
The discharge hose is pinched or kinked.	Make sure the hose is as straight as possible.
The hose is too long, or the hose is undersized.	Try the following: <ol style="list-style-type: none"> 1. Make sure the right hose size is used. Shorten the hose if possible. 2. Change to a larger pump. 3. Check that the lifting head of the pump corresponds to the given data. The easiest way to do this is to use a pressure gauge.
The pump has insufficient capacity.	Choose a pump with a larger head, or connect several pumps in a series.
The hydraulic parts are worn.	Hand the pump in for repair and fine adjustment.


If the problem persists, contact the local Grindex service shop. Always state the product number and the serial number of your pump when you contact Grindex, see [Product Description](#) (page 10).


The pump does not start, for pumps with SMART ROTASENSE™

Cause	Remedy
<p>The phase sequence may be incorrect.</p>	<ol style="list-style-type: none"> 1. Pull out the plug. 2. Do one of the following: <ul style="list-style-type: none"> • Shift two phases by turning two contact pins with a screwdriver. <hr/> <p>NOTICE: Do not take the plug apart.</p> <hr/>  <p>Figure 4: CEE plug</p> <ul style="list-style-type: none"> • Turn the knob to the opposite position 1, with 8 seconds delay. <hr/> <p>NOTICE: Do not reverse the phase sequence while the motor is running. Doing so may cause incorrect rotation resulting in damages to the motor electronics and the rotating parts. Respect the 8 seconds delay.</p> <hr/>  <p>Figure 5: Phase shifter On/Off switch</p> <ul style="list-style-type: none"> • If no glove or phase shifter is used, then shift two phase conductors in the cabinet.

If the problem persists, contact the local Grindex service shop. Always state the product number and the serial number of your pump when you contact Grindex, see [Product Description](#) (page 10).

The pump runs but the motor protection trips

Cause	Remedy
<p>The SMART™ motor protection may need to be reset.</p>	<p>Try one of the following:</p> <ul style="list-style-type: none"> • Reset the SMART™ motor protection by pulling and reinserting the power plug. • Or, disconnect and reconnect the power. 

Cause	Remedy
	 <p>WARNING: The pump will restart automatically after a corrected phase fault or power cut.</p>
The voltage is too low.	Contact a qualified electrician.
The strainer or air valves are blocked.	Flush the pump clean.
The cooling system is clogged.	Rinse and clean the system.
The water temperature exceeds 40°C/103°F.	The pump must not be used for such an application.
The density or viscosity is too high.	Consult the distributor or Grindex.

If the problem persists, contact the local Grindex service shop. Always state the product number and the serial number of your pump when you contact Grindex, see [Product Description](#) (page 10).

The pump stops during operation

Cause	Remedy
The cable is broken.	<p>Replace the cable. The pump is equipped with a special cable that must be replaced with a cable of the same type. It can be obtained directly from Grindex or from a representative.</p> <p>NOTICE: The rubber seal must always be replaced when the cable is replaced. Make sure it is of the right size (see spare parts list) to suit the cable. The cable has to be fitted by a certified electrician.</p>
The impeller is jammed.	Contact an authorized service shop.
The motor is overheated.	Let the pump cool for a few minutes. Before you restart the pump, disconnect and reconnect the power.
The motor has broken down.	Hand the pump in to an authorized service shop.

If the problem persists, contact the local Grindex service shop. Always state the product number and the serial number of your pump when you contact Grindex, see [Product Description](#) (page 10).

Technical Reference

Application limits

Data	Description
Media (liquid) temperature	Maximum temperature 40°C (104°F)
pH of the pumped media (liquid)	2–10
Media (liquid) density	Maximum density: 1100 kg/m ³ (9.2 lb. per US gal.)
Depth of immersion	20 m (65 ft.)
Other	For specific weight, current, voltage, power rating, and speed of the pump, see the data plate on the pump. For starting current, see Motor data (page 33). For other applications, contact the nearest Grindex representative for information.

Motor data

Feature	Description
Motor type	Squirrel-cage induction motor
Frequency	50 or 60 Hz
Supply	3-phase
Starting method	Direct on-line
Maximum starts per hour	30 evenly spaced starts per hour
Code compliance	IEC 60034-1
Rated output variation	±10%
Voltage variation without overheating	±10%, provided that it does not run continuously at full load
Voltage imbalance tolerance	2%
Maximum frequency variation (for pumps with SMART™)	±3 Hz
Stator insulation class	F (155°C [310°F])

Specific motor data

3-phase, 50 Hz

Motor type:

- 2,820 rpm
- Rated output 6.3 kW (8.4 hp)

Voltage (V)	Rated current (A)	Starting current (A)
380 Y	12	72
400 Y	12	77

Voltage (V)	Rated current (A)	Starting current (A)
415 Y	12	80
500 D	9.4	51
550 D	8.7	57

3-phase, 60 Hz

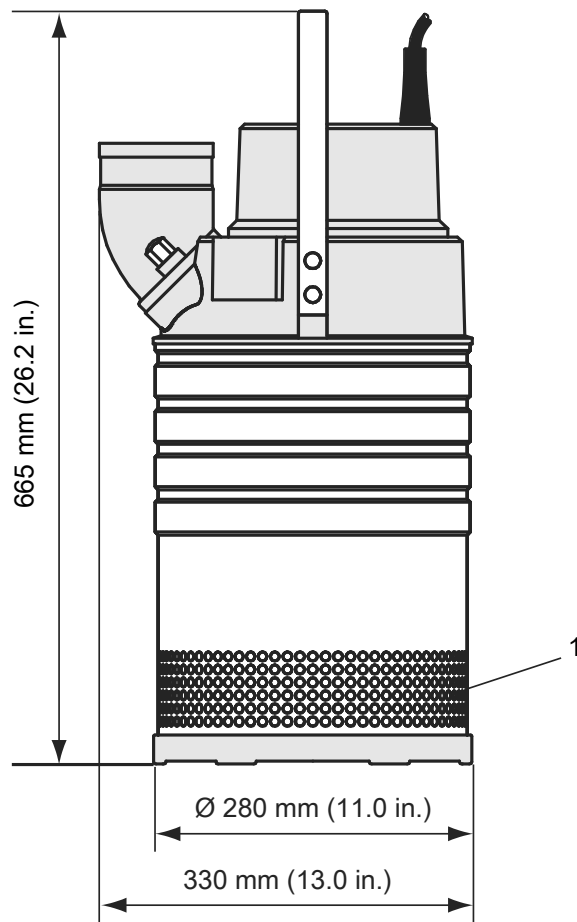
Motor type:

- 3,440 rpm
- Rated output 6.7 kW (9.0 hp)

Voltage (V)	Rated current (A)	Starting current (A)
220 Y parallel	22	153
230 Y parallel	21	161
440 Y serial	11	77
460 Y serial	11	81
575 D	8.6	67
600 D	8.5	70

Dimensions and weights

Major INOX



1. Strainer hole diameter 8.5 mm (0.33 in.)

Weight: 65 kg (143 lbs)

Performance curves

Standard

Pumps are tested in accordance with ISO 9906, HI level A.

Major INOX

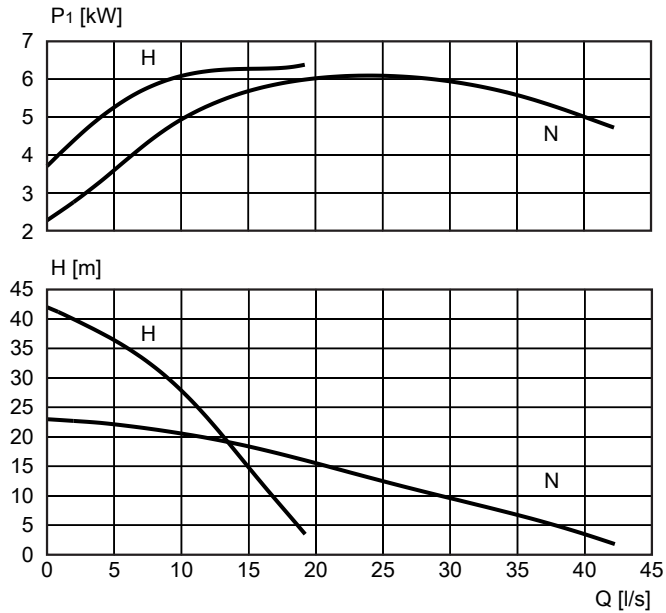


Figure 6: 50 Hz

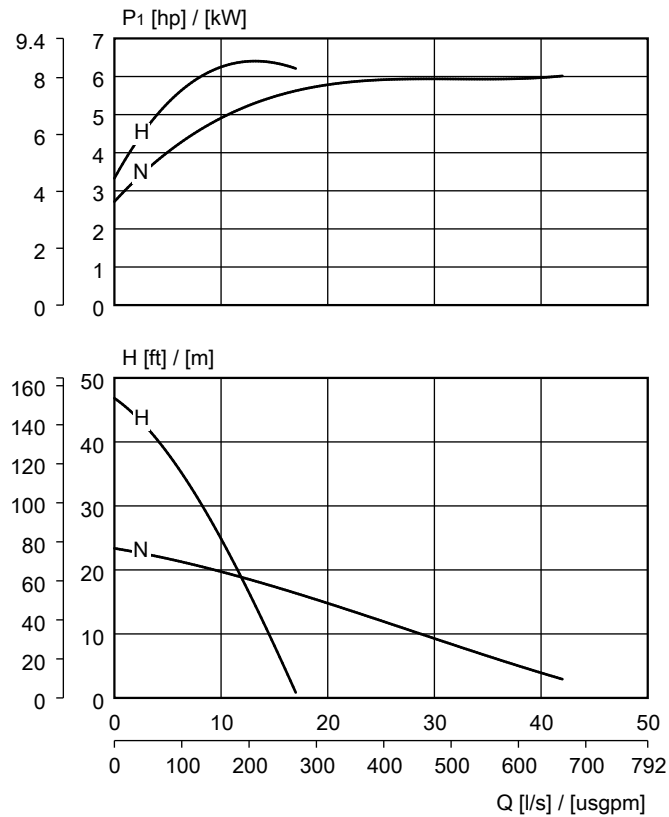


Figure 7: 60 Hz



Grindex
Gesällvägen 33
174 87 Sundbyberg
Sweden
Tel. +46-8-606 66 00
Fax +46-8-745 53 28