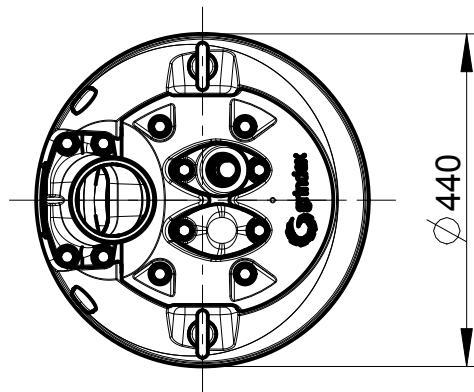
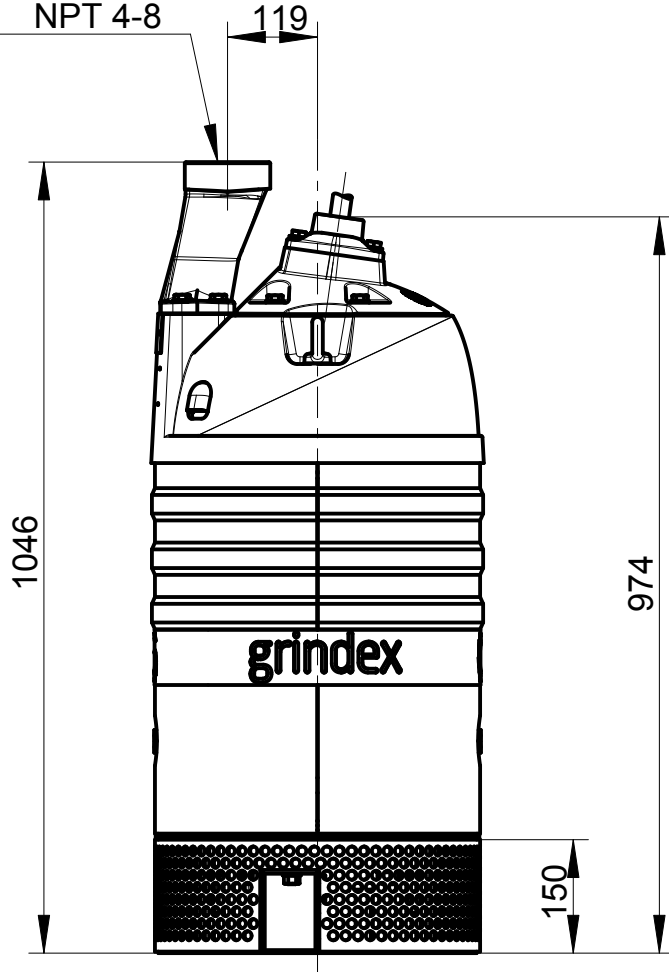


\varnothing 100 HOSE SIZE
 ISO-G4A
 NPT 4-8



SCREEN OPENING \varnothing 12

Weight [kg]
Total
210



Denomination

Dimensional drwg

Sheet 1 of 1

Drawing No

8107-300 H

Rev

0