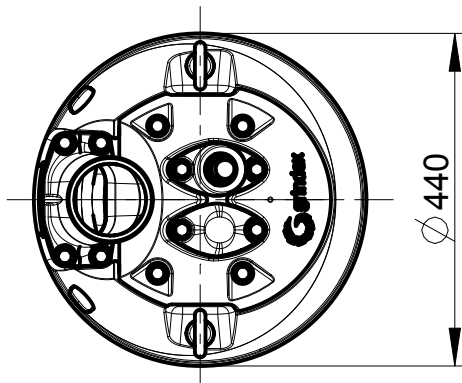
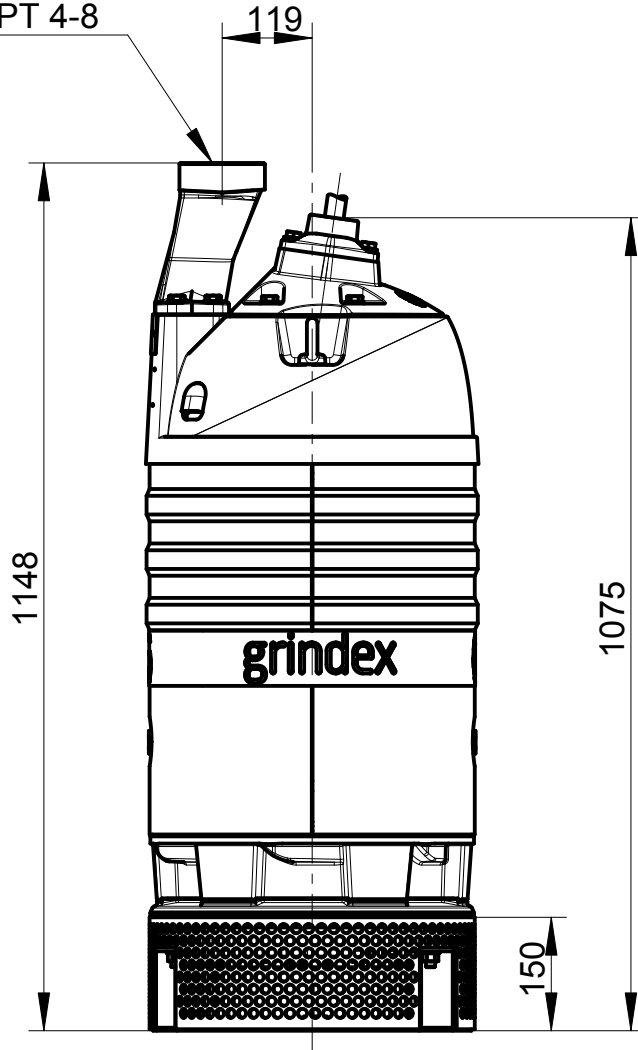


Ø 100 HOSE SIZE
ISO-G4A
NPT 4-8



SCREEN OPENING Ø 12

Weight [kg]
Total
270



Denomination
Dimensional drwg

Sheet 1 of 1
In Work

Drawing No
8107-011 SH

Rev
0